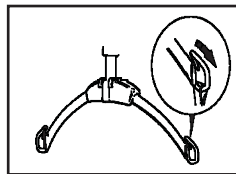
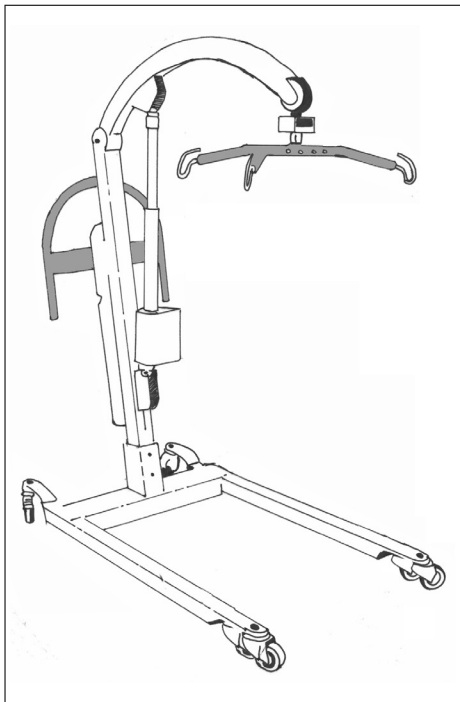




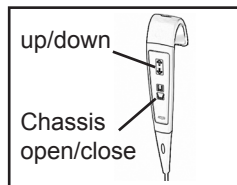
This Quick Reference Guide has been produced to assist Healthcare Professionals and other users with only the functional aspects of the system. The guide does not replace the general safety warnings, cautions and recommendations provided in the product instructions for use, part number THL25808M-EN.

Refer to the product instructions for use before using this product.

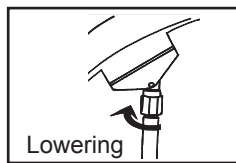
## Product Overview



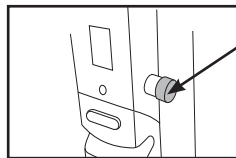
Pull the Loop attachment in the direction of the arrow



Use the handset to operate the jib

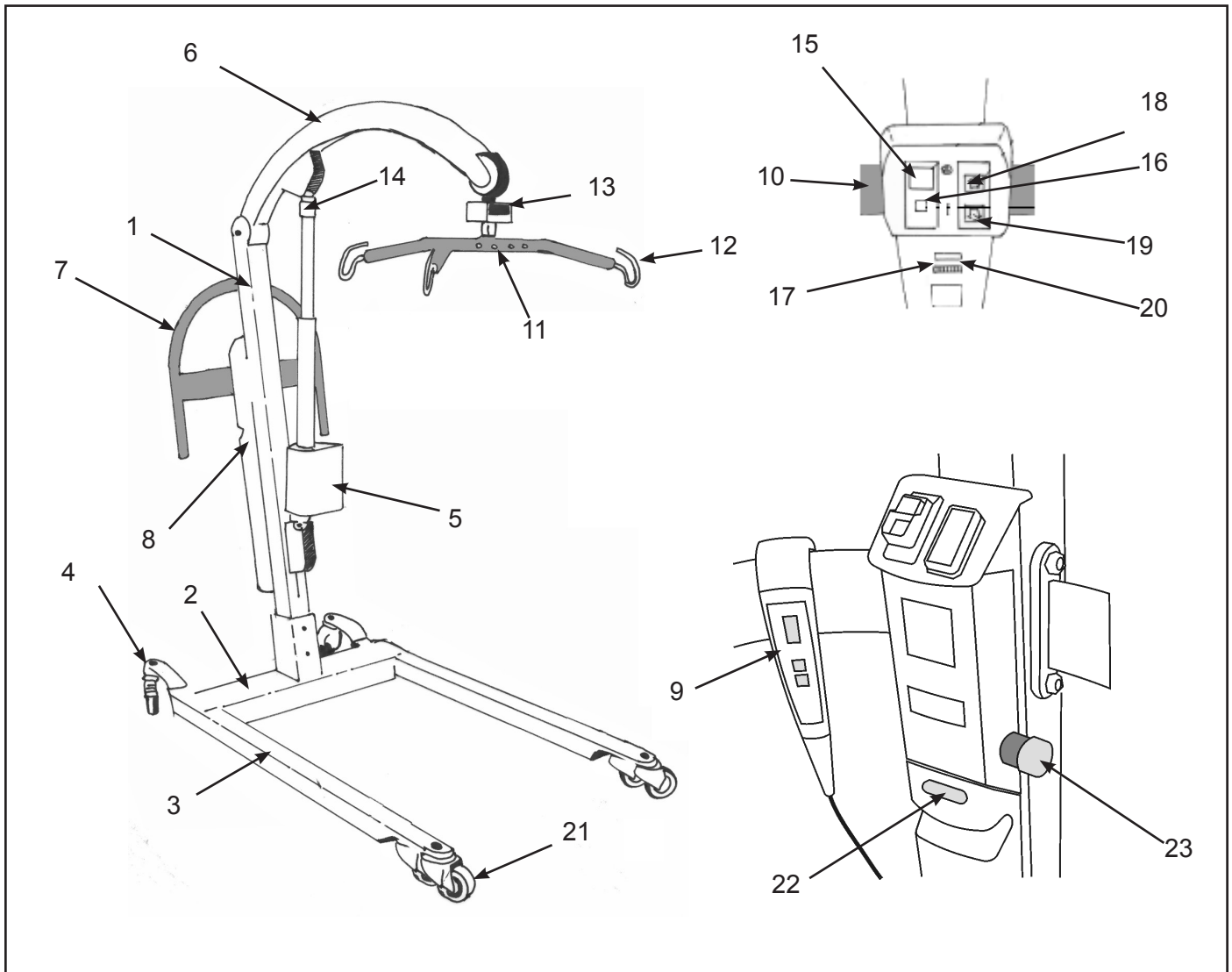


If necessary, turn the red ring on top of the actuator clockwise to lower the resident



If necessary, push the red emergency stop button to stop electric movement

1. Fit the sling to the resident, ensuring correct size is used. When using a toilet sling, ensure chest strap is fastened securely and residents arms are outside the sling. Before each and every use, check for sling damage. Do not use the sling when damaged.
2. Position the TENOR in front of the resident, open the chassis legs if necessary. If necessary, place the residents legs on or over the chassis.
3. Adjust height of jib to approximately shoulder height.
4. Attach the sling to the TENOR, assuring the loops are correctly connected, and put under tension before lifting.
5. Using the handset or dual control, raise the resident to the needed height.
6. Close legs and transport resident to chair, bed or toilet.
7. Position the resident over the chair, bed or toilet with the back of their legs gently touching e.g. the chair and lower to a sitting position.
8. Release tension on the sling by lowering the resident and remove sling from the TENOR.
9. Remove the TENOR, taking care to remove the residents feet from the chassis.
10. Remove the sling from around the resident.



- |   |   |
|---|---|
| 1. Mast                                       | 13. Scale unit (if fitted)                |
| 2. Chassis                                    | 14. System failure lower override         |
| 3. Adjustable width chassis legs              | 15. Power off button                      |
| 4. Rear castors (braked)                      | 16. Power on / reset button               |
| 5. Lift actuator                              | 17. Battery discharge indicator LCD       |
| 6. Jib  | 18. Dual control switch for raising UP    |
| 7. Manoeuvring handle                         | 19. Dual control switch for lowering DOWN |
| 8. Battery pack                               | 20. Hour meter                            |
| 9. Control handset (for raising and lowering) | 21. Front castor                          |
| 10. Electrics / battery compartment           | 22. Battery release button                |
| 11. Spreader bar                              | 23. Emergency stop button                 |
| 12. Sling attachments hooks                   |   |

® and ™ are trademarks belonging to the Arjo group of companies.

© Arjo 2019.

As our policy is one of continuous improvement, we reserve the right to modify designs without prior notice. The content of this publication may not be copied either whole or in part without the consent of Arjo.