

INSTRUCTIONS FOR USE

Maxi Twin



WARNING

To avoid injury, always read this Instructions for Use and accompanied documents before using the product.



Mandatory to read the Instructions for Use

Design Policy and Copyright

® and ™ are trademarks belonging to the Arjo group of companies.

© Arjo 2019.

As our policy is one of continuous improvement, we reserve the right to modify designs without prior notice. The content of this publication may not be copied either whole or in part without the consent of Arjo.

Contents

Foreword	4
Intended Use	5
Safety Instructions	6
Preparations	7
Parts Designation	8
DPS Spreader Bars	9
Loop Bars	10
Slings	11
Product Description/Function	13
Hand Control	13
Lifting	13
Adjustable Width of Chassis Legs	13
Castor Brakes	14
Driving/Positioning Handles	14
Scale on the Powered Spreader Bar	14
Emergency Stop Button	15
Emergency Lowering “Ring”	15
Powered Spreader Bar	16
Automatic Safety Stop	16
Battery	16
Battery Indicator Light	16
Battery Charger	16
Powered Spreader Bar	17
Using your Maxi Twin	18
Attachment of Clip/Loop (Passive Sling)	19
Detachment of Clip/Loop (Passive Sling)	20
Attach the Leg Clips/Loops (Passive Sling)	21
Transferring Resident - DPS Spreader Bar	22
To Lift from a Chair	22
To Lift from a Bed	24
To Lift from the Floor	26
Transferring the Resident - Loop Spreader Bar	28
To Lift from a Chair	28
To Lift from a Bed	29
To Lift from the Floor	30
To Lift with a Large Loop Bar	30
Home Care Use	31
Battery Instructions	33
Cleaning and Disinfecting Instructions	34
Care and Preventative Maintenance	36
Troubleshooting	40
Technical Specifications	41
Dimensions	43
Labels on the Maxi Twin	45
List of Standards and Certificates	47
Electromagnetic Compatibility	48
Parts and Accessories	50

Foreword

Thank you for purchasing Arjo equipment.

Your Maxi Twin™ mobile passive lift is part of a series of quality products designed especially for hospitals, nursing homes and other health care use.

Please contact us if you have any questions about the operation or maintenance of your Arjo equipment.

Please Read this *Instructions for Use* thoroughly!

Please read this *Instructions for Use (IFU)* in its entirety before using your *Maxi Twin* lift. Information in the *IFU* is crucial to the proper operation and maintenance of the equipment and will help protect your product and make sure that the equipment performs to your satisfaction. Some of the information in this *IFU* is important for your safety and must be read and understood to help prevent possible injury.

Unauthorized modifications on any Arjo equipment may affect its safety. Arjo will not be held responsible for any accidents, incidents or lack of performance that occur as a result of any unauthorized modification to its products.

Report Unexpected Operations or Events

Contact your local Arjo representative if any unexpected operations or events occur. The contact information appear on the last page of this *IFU*.

Serious incident

If a serious incident occurs in relation to this medical device, affecting the user, or the patient then the user or patient should report the serious incident to the medical device manufacturer or the distributor. In the European Union, the user should also report the serious incident to the Competent Authority in the member state where they are located.

Service and Support

A service routine must be performed on your *Maxi Twin* lift every year by Arjo authorized service personnel to make sure the safety and daily operation of your product.

If you require further information, please contact your local Arjo representative who can offer comprehensive support and service programs to maximize the long-term safety, reliability and value of the product. Contact your local Arjo representative for replacement parts.

Your service representative stocks the parts you will need.

The contact information appears on the last page of this *IFU*.

Definitions in this *IFU*

WARNING

Means: Safety warning. Failure to understand and obey this warning may result in injury to you or to others.

CAUTION

Means: Failure to follow these instructions may cause damage to all or parts of the system.

NOTE

Means: This is important information for the correct use of this system or equipment.



Means: The name and address of the manufacturer.

Intended Use

This equipment must be used in accordance with these safety instructions. Anyone using the equipment must also have read and understood the instructions in this *Instructions for Use (IFU)*.

If there is anything you are not sure about, contact your Arjo representative.

Maxi Twin is a floor based mobile sling lift.

The lift is intended to be used for lifting and transfers in hospitals, nursing homes or other health care facilities, in private homes and similar home care facilities. The equipment is intended for indoor use.

Maxi Twin is only intended to be used with Arjo-supplied slings and stretchers that are designed to be used with *Maxi Twin*.

The products may only be used by appropriately trained caregivers with adequate knowledge of the care environment and its common practices and procedures; *Maxi Twin* allows the handling of residents up to 182 kg (400 lbs).

Maxi Twin is intended to be used for residents who:

- sits in a wheelchair
- has no capacity to support himself/herself
- cannot stand unsupported and is not able to bear weight, not even partially
- is dependent on the caregiver in most situations

Or, for a resident who:

- is passive
- is almost completely bedridden
- is often stiff or have contracted joints
- is totally dependent on the caregiver

The product should not be used for residents who suffer from uncontrollable head movements.

If the resident does not meet these criteria an alternative equipment/system shall be used.

The transfer with *Maxi Twin* takes place indoors in the resident room, common areas or in a bathroom, it's not intended to be used in the shower or outdoors.

The *Maxi Twin* should only be used for the purpose specified in this Instructions for Use (IFU). Any other use is prohibited.

Lifetime of the Equipment

The equipment must only be used for the purposes stated above.

The lifetime of this equipment is ten (10) years but depending on the storage of the battery, the use frequency and the charging intervals, the service life of the battery is 2-5 years.

The lifetime and service life are stated providing that the preventive maintenance are being carried out in accordance with the instructions for care and maintenance in the *Instructions for use (IFU)*.

Depending on level of wear some equipment parts such as castors and hand control may need to be replaced during the equipment lifetime according to information in the *Instructions for use (IFU)*.

Safety Instructions

WARNING

To avoid injury, make sure there is a safe distance between the resident and the device. Pay particular attention to resident with uncontrollable movements.

WARNING

To avoid falling, make sure that the user weight is lower than the safe working load for all products or accessories being used.

WARNING

To avoid injury, only use Arjo slings specified in these *Instructions for Use*. To select correct sling size follow the specific sling *Instructions for Use*.

WARNING

To avoid entrapment, make sure to keep the residents hair, arms and feet close to the body and use designated grab supports during any movement.

WARNING

To avoid the resident from falling or caregiver from being injured, only detach the sling clips when the resident's body weight is fully supported by the bed or chair.

WARNING

To avoid the device from tipping and the resident from falling, do not use the equipment on floor with recessed drains, holes or slopes exceeding a ratio of 1:50 (1.15°).

WARNING

To avoid explosion or fire, never use the equipment in oxygen rich environment, in presence of heat source or flammable anaesthetic gases.

WARNING

To avoid injury, make sure that the resident is not left unattended at any time.

WARNING

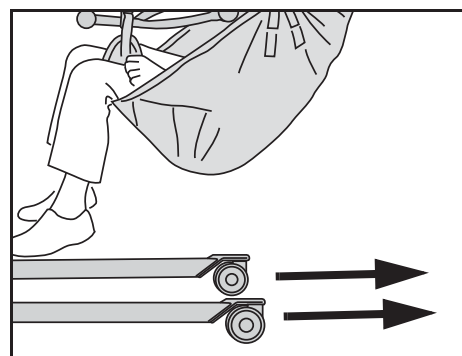
To avoid falling during transfer, always make sure that the brakes are applied on all equipment being used.

CAUTION

Do not leave/use *Maxi Twin* and accessories for extended periods in humid, wet areas or in the shower.

To Avoid the Possibility of Injury Always Make Sure That:

- the resident never spends long periods of time in the *Maxi Twin* lift, it can affect the blood flow in his/her legs.
- *lower* the *Maxi Twin* lift during transfer to a safe height, little higher than a normal chair height.
- the resident's feet are clear of the floor during transfer.
- the *Maxi Twin* lift is kept with the chassis legs in parallel (closed) position during transfer.



Preparations

Actions Before the First Use (8 Steps)

- 1 Visually check the package for damage. If the product looks damaged make a complaint to the transport agency.
- 2 The packaging should be recycled according to local regulations.
- 3 Check that all parts of the product are supplied. Compare with the product description in this *IFU*. If any part is missing or damaged - do NOT use the product!
- 4 Unpack the battery charger. Select and attach the adapter correctly suited to your power outlet. See, *Battery Charger IFU*.
- 5 Charge the batteries.
- 6 Disinfect the product according to *Cleaning and Disinfecting Instructions on page 34*.
- 7 Prepare an area that is dry, with good ventilation and out of direct sunlight for storage of the *Maxi Twin* lift.
- 8 Choose a designated area, where the *Instructions for Use (IFU)* should be kept and is easily accessible at all times for the users.

NOTE

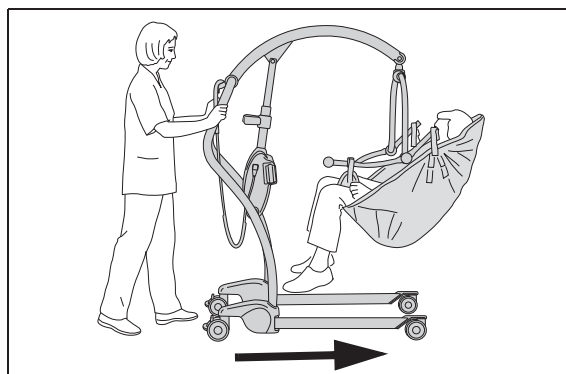
If you have any questions, please contact your local Arjo representative for support and service.

Actions Before Every Use (4 Steps)

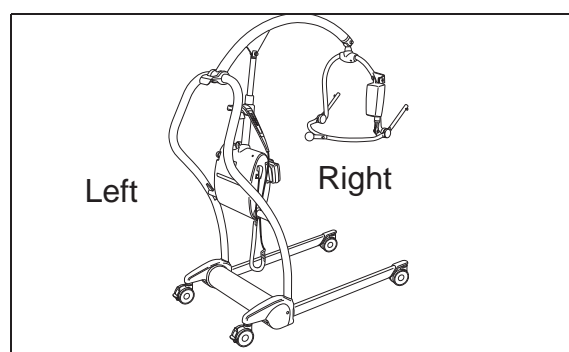
- 1 Check that all parts of the lift are in place. Compare to *Parts Designation on page 8*.
- 2 Pre-inspect the sling prior to use. If any part is missing or damaged - do NOT use the product!
- 3 **WARNING**
To prevent cross-contamination, always follow the disinfection instructions in this *Instructions for Use*.
- 4 A resident prone to kicking must have the leg clips of the sling crossed. This prevents the resident from falling as a result of clip detachment due to kicking. See section, *Attach the Leg Clips/Loops (Passive Sling) on page 21*.
- 5 Behind the actuator covers are moving parts. Should the covers become damaged, do not use the lift. Contact an Arjo Service technician.

Maxi Twin directions

The direction of driving during transfer is according to the illustration below.



The directions left or right on the *Maxi Twin* lift are given as shown in the illustration.



Parts Designation

- 1 Mast/Lift manoeuvring handle
- 2 Jib
- 3 Adjustable chassis legs
- 4 Braked castors (rear)
- 5 Non-braked castors (front)
- 6 Powered DPS spreader bar
- 7 Hand control
- 8 Hand control hang point
- 9 Lift battery pack
- 10 Main lift actuator
- 11 Emergency stop button

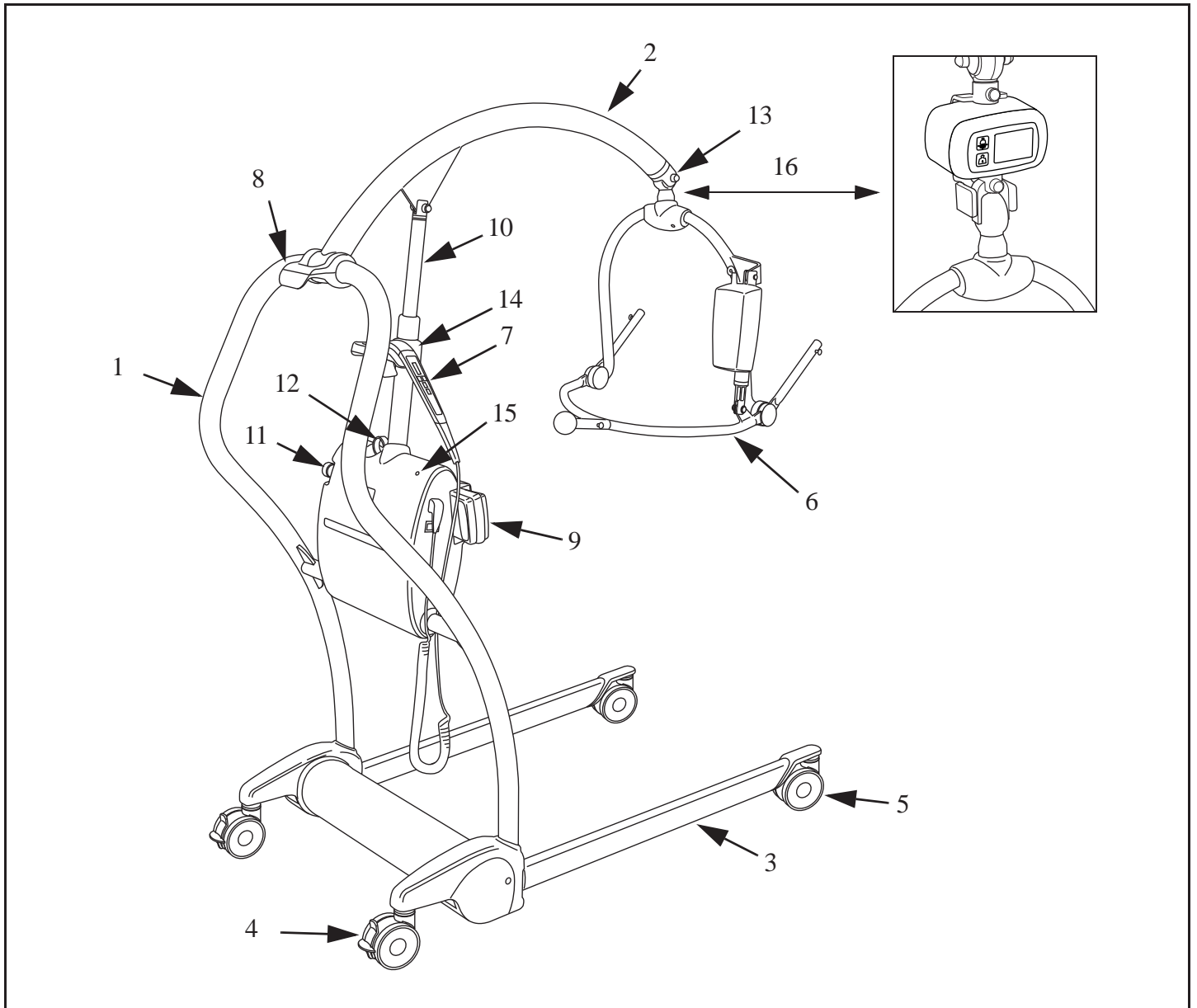
- 12 Emergency lowering "ring"
- 13 Pivot bolt
- 14 Hand control holder
- 15 Battery indicator light
- 16 Scale (optional)



Entire Product:

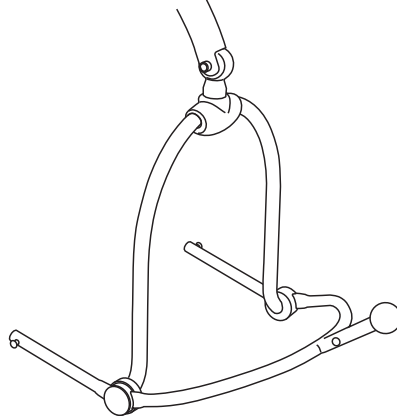
Type BF

Applied part: protection against electrical shock in accordance with EN 60601-1.

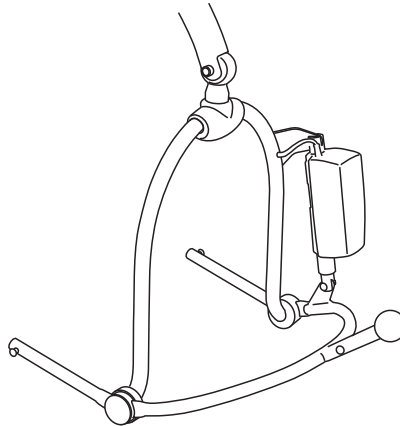


DPS Spreader Bars

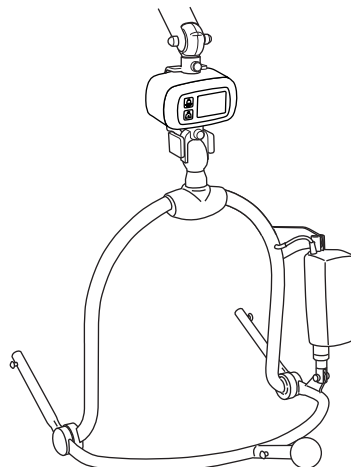
Manual DPS (Dynamic Positioning System) Spreader Bar



Powered DPS Spreader Bar

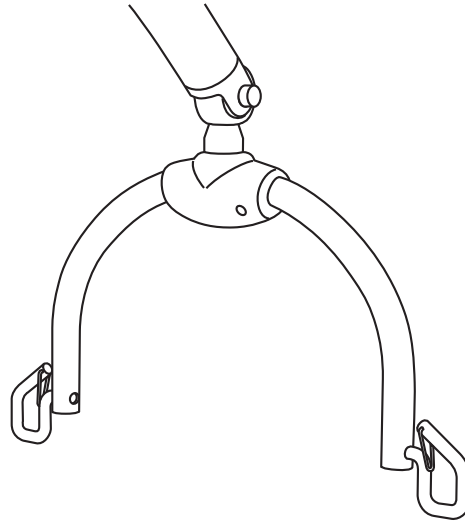


Powered DPS Spreader Bar with Scale

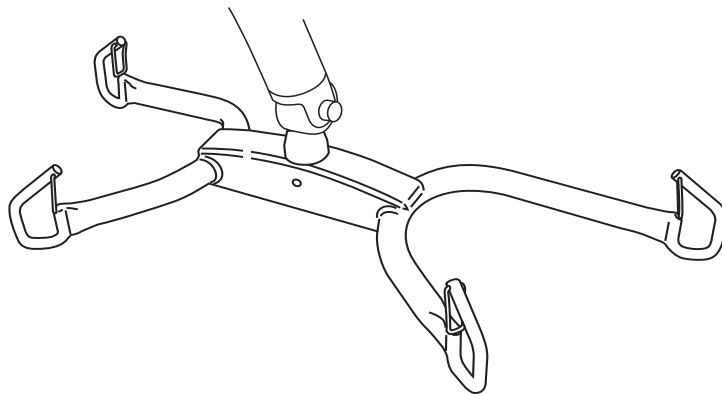


Loop Bars

2-point Loop Bar (Small and Medium)



4-point Loop Bar (Large)



Slings

A sling range label is located on the side of the spreader/loop bar for quick colour to size reference (see “Labels on the lift” section).

Refer to the *Passive Clip Sling IFU* when the size of sling should be chosen and sling instructions.

WARNING

To avoid falling, make sure that the user weight is lower than the safe working load for all products or accessories being used.

WARNING

To avoid the resident from falling or caregiver from being injured, only detach the sling clips when the resident’s body weight is fully supported by the bed or chair.

WARNING

To avoid injury, only use Arjo slings specified in these *Instructions for Use*. To select correct sling size follow the specific sling *Instructions for Use*.

WARNING

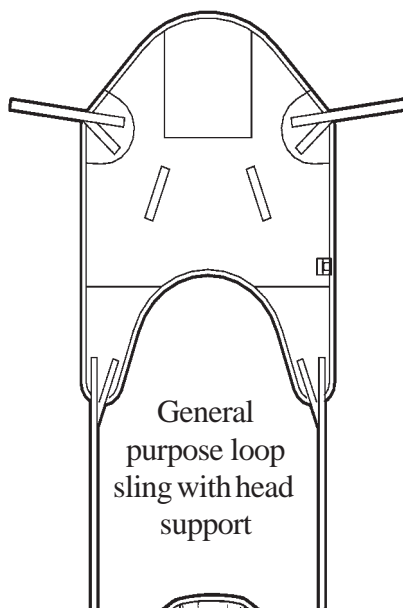
To avoid entrapment, make sure to keep the residents hair, arms and feet close to the body and use designated grab supports during any movement.

NOTE

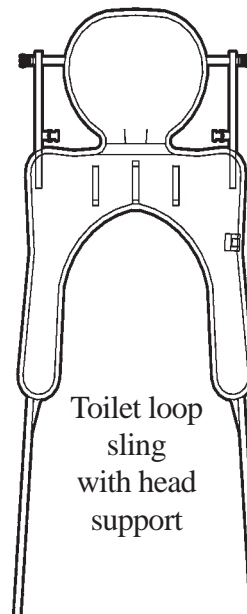
If Arjo Slings and Flites (disposable slings) are used with the *Maxi Twin*, then always refer to their instructions before use.

Arjo standard sling profiles that can be used with the *Maxi Twin* lift

Examples of Loop slings for Loop spreader bars

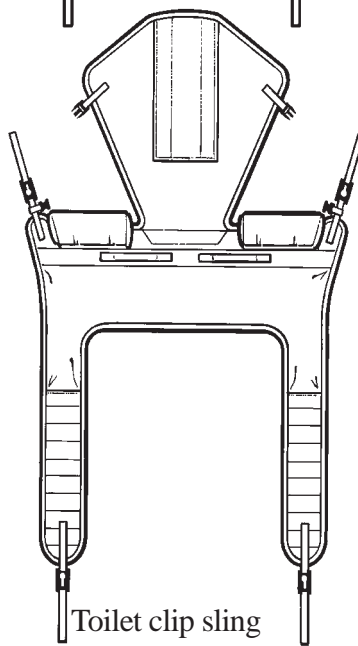


General purpose loop sling with head support

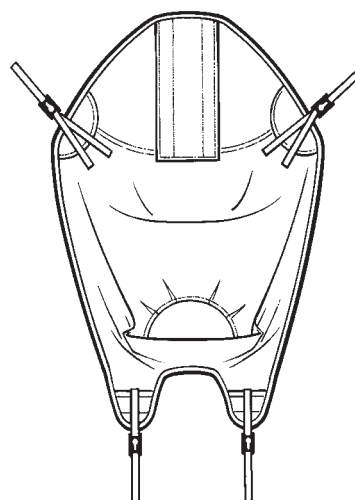


Toilet loop sling with head support

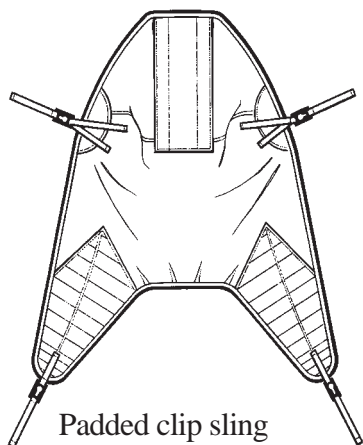
Examples of Passive Clip slings for DPS spreader bars



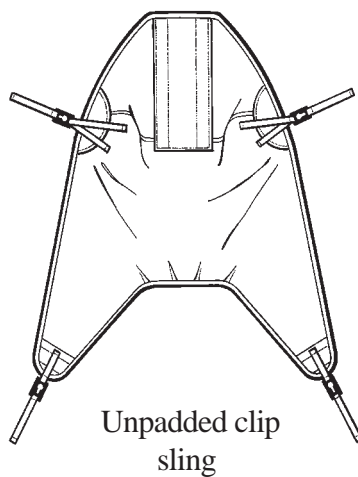
Toilet clip sling with head support



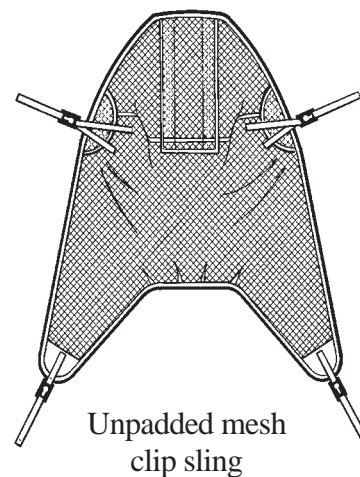
Double amputee clip sling



Padded clip sling



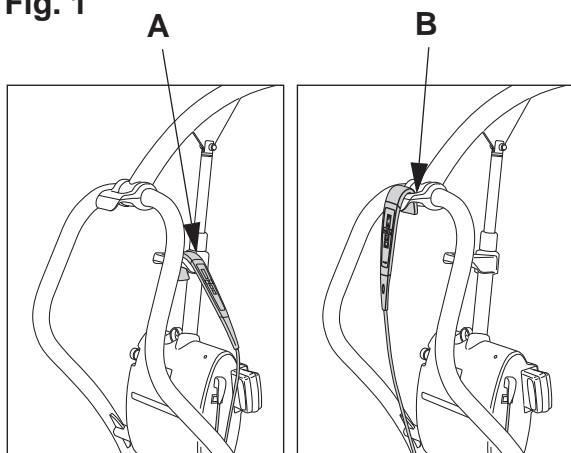
Unpadded clip sling



Unpadded mesh clip sling

Product Description/Function

Fig. 1



Hand Control

CAUTION

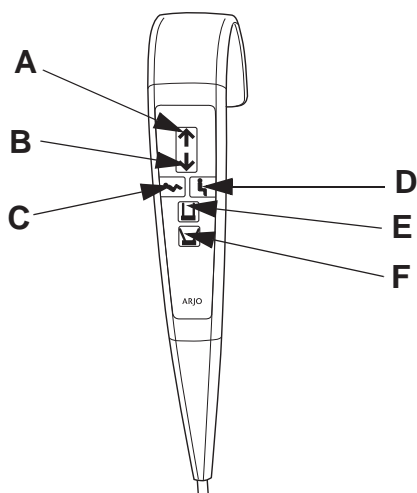
Do not drop the hand control into water.

The hand control has an integrated hook which makes it easy to attach. When not in use, hook it over the hand control hang point at the top of the mast (B) or the hand control holder located on the main lift actuator (A). (See Fig. 1)

Unhook the hand control and hold it in your hand:

- Press (A) button in order to raise the jib. (See Fig. 2)
- Press (B) button in order to lower the jib. (See Fig. 2)
- Press (C) button for reclined position (*only for powered spreader bar*). (See Fig. 2)
- Press (D) button for sitting position (*only for powered spreader bar*). (See Fig. 2)
- Press (E) button to **close chassis legs**. (See Fig. 2)
- Press (F) button to **open chassis legs**. (See Fig. 2)

Fig. 2



Lifting

The lifting/lowering movement is performed by an actuator driven by an electric motor.

Adjustable Width of Chassis Legs

The chassis legs can be opened to variable widths.

Select the “Open chassis legs” button on the hand control and keep pressing it until the required width is achieved.

To close, press the “Close chassis legs” button. When pressure is released from the button, movement will stop and the chassis legs will remain securely in position.

(See Fig. 3)

NOTE

When opening or closing the legs of the powered chassis, make sure that no one stands in the way of the moving chassis legs.

Fig. 3

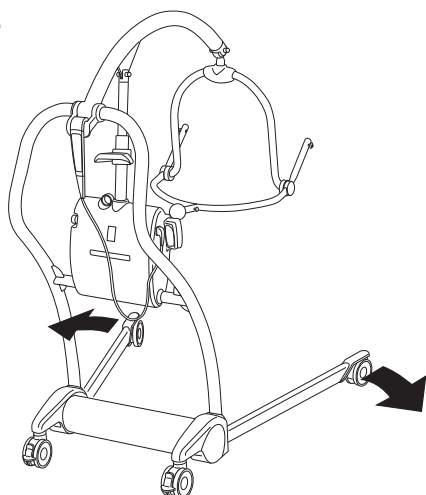
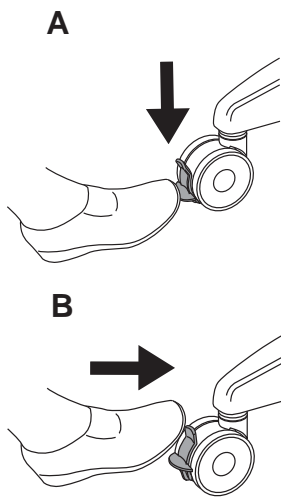


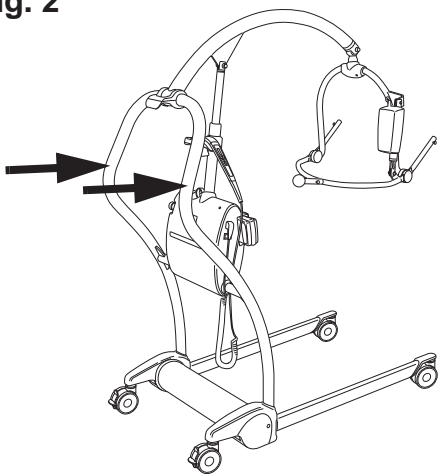
Fig. 1



Castor Brakes

The chassis rear castors have brakes which can be foot operated to keep the *Maxi Twin* lift in position. Brake (A) and release the brake (B) as shown on the illustration. The brakes on both castors have to be applied to get full effect. (See Fig. 1)

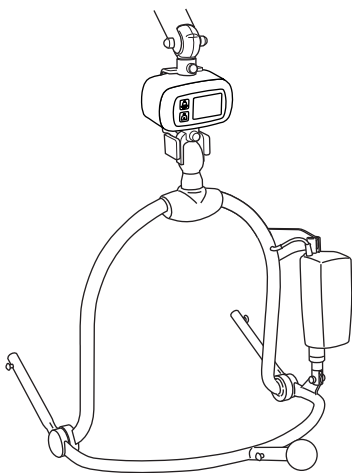
Fig. 2



Driving/Positioning Handles

Use the driving handles when pushing and positioning the *Maxi Twin* lift. (See Fig. 2)

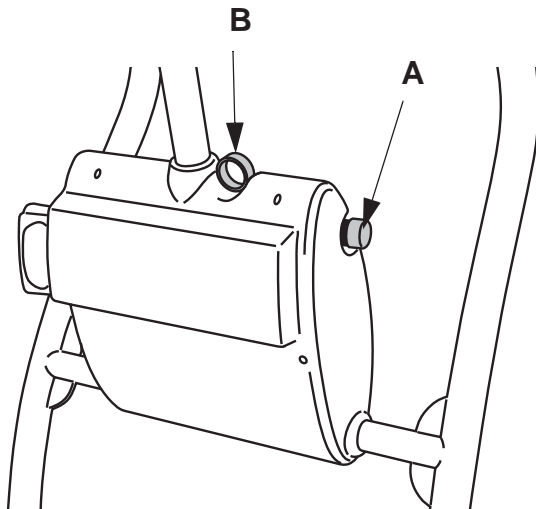
Fig. 3



Scale on the Powered Spreader Bar

The *Maxi Twin* lift powered spreader bar comes with or without a scale. Refer to the *Scale IFU*. (See Fig. 3)

Fig. 1



Emergency Stop Button

In case of an emergency, where you immediately have to stop any powered movement, (other than by releasing pressure on the hand control button), press the “emergency stop button” (A), located on the side of the main lift actuator cover (see illustration).

(See Fig. 1)

Once the emergency stop button has been operated, it will have to be reset before any powered movement can be utilised.

To reset the emergency stop function, turn the red emergency button 1/8 of a turn clockwise until it pops up.

Emergency Lowering “Ring”

WARNING

To avoid injury, only use the emergency lowering when normal lowering is impossible. Use extreme care during lowering.

The emergency lowering function will only work when there is a load in the *Maxi Twin* lift exceeding 2 kg (4.4 lbs). It can be used in the event of a main control failure.

The emergency lowering “Ring” (B) is on the top of the main lift actuator housing, a green and white identification label is positioned near the emergency lowering ring for quick and easy recognition. Pull the emergency lowering ring up to operate, release the control during use and lowering will stop. (See Fig. 1)

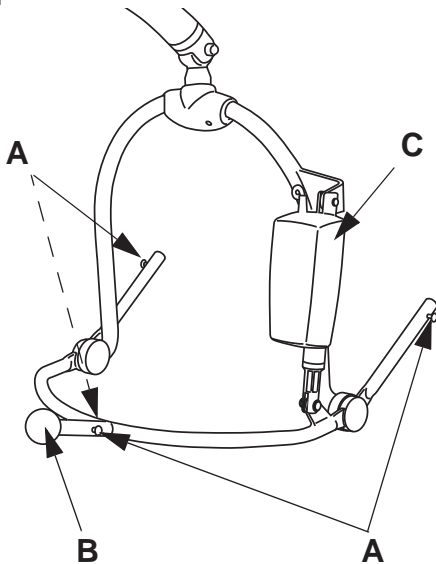
NOTE

Due to internal friction, the speed of lowering will vary depending on the weight of the resident. You may have to assist the downwards movement by pulling down the jib

NOTE

The emergency lowering overrides important safety functions and should only be used when the hand control is not working.

Fig. 1



Powered Spreader Bar

Four sling attachment lugs (A) enable the sling clips to be attached.

The rotational positioning handle (B) allows you to position the resident sideways.

The powered spreader bar (C) is operated from the hand control. The resident can be positioned in a reclined or sitting position. (See Fig. 1)

Automatic Safety Stop

This is not operator controlled but a function built into the electronics of the lift.

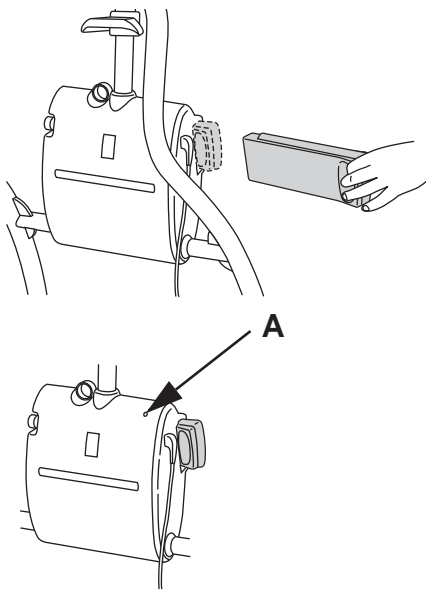
Function I:

If the lift is moving up /down and it moves against something, the movement will be stopped by an automatic safety stop. Release the up /down button on the hand control.

Function II:

If the lift is mistakenly overloaded with a resident heavier than permitted, an automatic safety stop will automatically be activated. If this occurs, stop pressing the up button on the hand control. Lower the resident by pressing the down button and then remove the resident from the lift.

Fig. 1



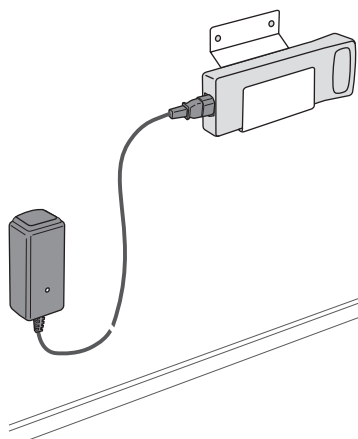
Battery

The battery is situated on the side of the lift actuator housing. (See Fig. 1)

NOTE

The battery shape only fits correctly into the lift with its raised edge upwards.

Fig. 2



Battery Indicator Light

A beeping sound and a low battery indicator (A) light will flash when the battery needs charging. The caregiver should complete the current lift movement. (See Fig. 1)

Battery Charger

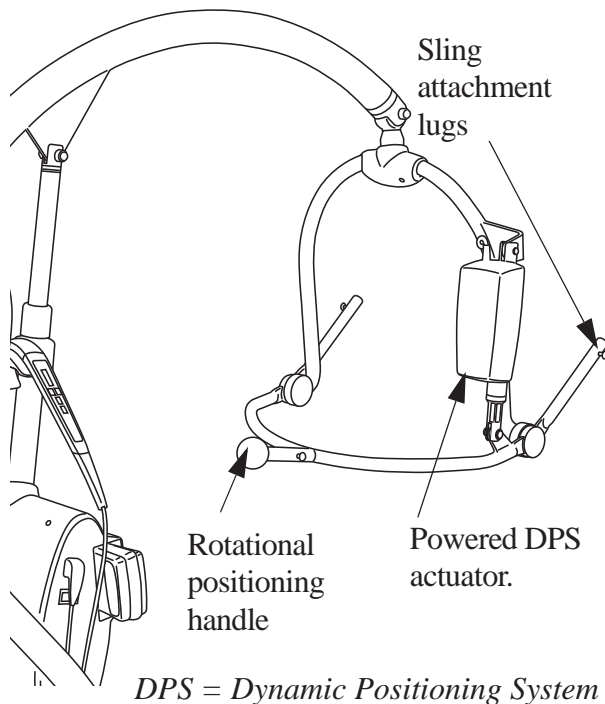
Type no:

NEA 8000

(See Fig. 2)

Powered Spreader Bar

Fig. 1



Powered Spreader Bar (if fitted) (2 Steps)

If your lift comes with a powered spreader bar, the same instructions apply as the non-powered spreader bar.

- 1 The difference is that the powered spreader bar has the added advantage of positioning the resident with minimal physical effort by the caregiver. The rotation of the powered spreader bar is manual which is the same as the manual spreader bar. (See Fig. 1)

WARNING

To avoid falling, make sure that the user weight is lower than the safe working load for all products or accessories being used.

The powered spreader bar is waterproof and is classified labelled by Arjo as a wet environment unit. This water level mark signifies that the lower end of the spreader bar and sling may be immersed in bath water or used for showering.

CAUTION

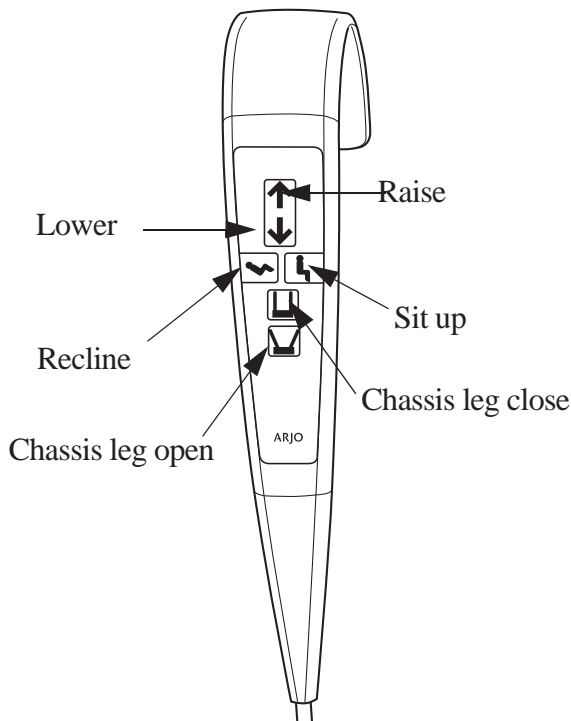
The electrical actuator, as part of the powered spreader bar, will not withstand water and should not be sprayed with water or be submerged under water. The maximum water level is indicated on the water level mark on the side of the spreader bar.

- 2 In order to position the resident, move the powered spreader bar by a push of a button on the hand control. The movement will stop with the released pressure of the button. The spreader bar will remain firmly in position, once powered movement has stopped. (See Fig. 2)

WARNING

To avoid entrapment, make sure the path of the movement is free from obstacles.

Fig. 2



Using your Maxi Twin

Before the resident is transferred to a *Maxi Twin*, make sure that:

- the battery pack is fully charged before use. Remove it from the charger unit and the arched top of the battery should face upwards when inserted into the battery opening. Electrical connection will be made automatically.
- a selection of sling types and sizes are easily available for all types of lifting procedures when using the *Maxi Twin* lift.
- when possible, approach the resident from the front.
- if necessary, open the chassis legs to go around a chair or wheelchair.

WARNING

To avoid entrapment, make sure to keep the residents hair, arms and feet close to the body and use designated grab supports during any movement.

Powered Chassis Legs

Select the appropriate button on the hand control and keep it pressed down until the required leg width is achieved. To close, press the close chassis leg button. The opening/closing of the chassis legs will stop if pressure is released from the button.

WARNING

To avoid entrapment, make sure to keep the residents hair, arms and feet close to the body and use designated grab supports during any movement.

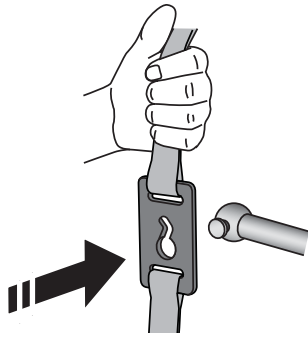
When to Use the Brakes

When lifting or lowering a resident who is supported by a sling it is not necessary to use the brakes. This allows the lift to move to the correct position relative to the centre of gravity of the resident.

It's recommended to apply the brakes however, when lifting a resident from the floor. This may prevent any unwanted or accidental movement of the *Maxi Twin* lift that may cause harm or injury.

Attachment of Clip/Loop (Passive Sling)

Fig. 1

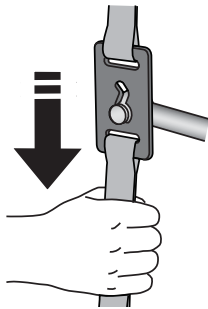


Clip Sling (3 Steps)

For more information, refer to respective sling *IFU*.

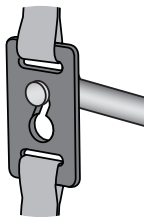
- 1 Place the clip on the spreader bar lug. (See Fig. 1)

Fig. 2



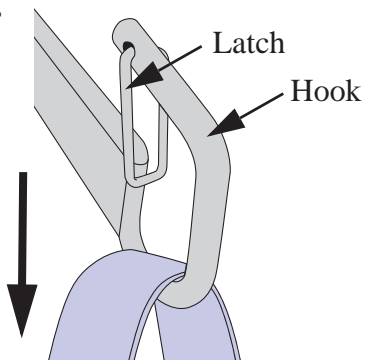
- 2 Pull the strap down. (See Fig. 2)

Fig. 3



- 3 Make sure all lugs are locked at the top end of the clips and no straps are not squeezed in between the clip and the spreader bar. (See Fig. 3)

Fig. 4



Loop Sling (3 Steps)

The illustration is an example of a hook with latch. The spreader bars or stretcher frames might be of a different design.

- 1 Place the loop over the spring loaded latch.
- 2 Pull the loop down to force the latch to open.
- 3 Make sure that the spring loaded latch closes completely with the loop inside the hook. (See Fig. 4)

Detachment of Clip/Loop (Passive Sling)

Fig. 1

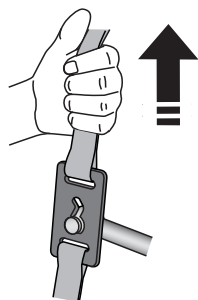


Fig. 2

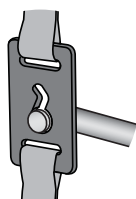
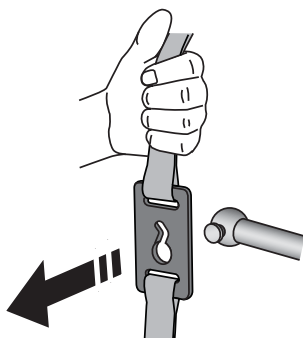


Fig. 3



Clip Sling (3 Steps)

For more information, refer to respective sling *IFU*.

- 1 Pull the strap up. (See Fig. 1)
- 2 Make sure the lug is unlocked at the bottom of the clip. (See Fig. 2)
- 3 Remove the clip. (See Fig. 3)

Fig. 1

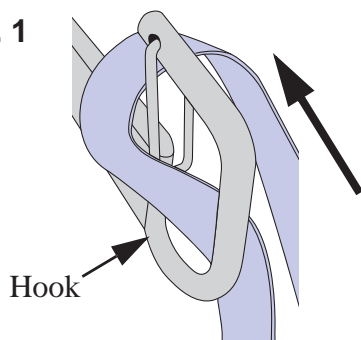
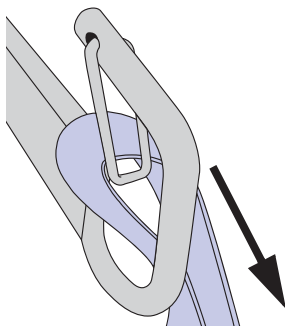


Fig. 2



Loop Sling (2 Steps)

The illustration is an example of a hook with latch. The spreader bars or stretcher frames might be of a different design.

Method 1

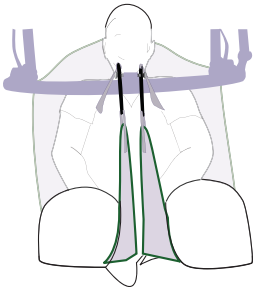
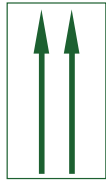
- 1 Pull one side of the loop over the hook and spring loaded latch. (See Fig. 1)
- 2 Pull down the loop. (See Fig. 2)

Method 2

- 1 Press the spring loaded latch open.
- 2 Remove the loop.

Attach the Leg Clips/Loops (Passive Sling)

Fig. 1



Spreader bar



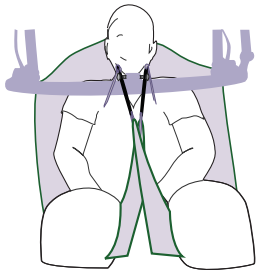
2-point Loop bar

Straight Leg Attachment (2 Steps)

For most residents, it is recommended to use the straight attachment of the leg clips/loops.

- 1 Keep the leg straps straight.
- 2 Attach the leg clips/loops so that the leg straps are positioned vertically. (See Fig. 1)

Fig. 2



Spreader bar



2-point Loop bar

Crossed Leg Attachment (2 Steps)

If the resident is prone to kicking, the crossed leg attachment of the clips/loops must be applied. This prohibits the leg clips/loops from detachment due to kicking and prevents the resident from possible injury. This method holds the legs apart and offers better access for cleaning, toileting or similar. This method may offer extra support for amputees or residents with special conditions.

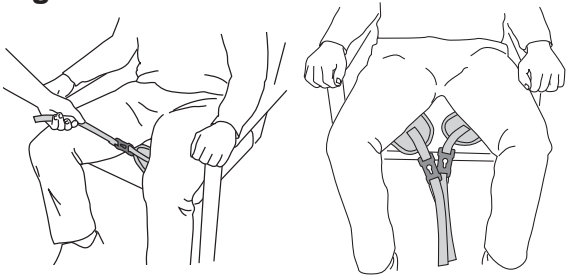
- 1 Cross the leg straps of the sling. (See Fig. 2)
- 2 Attach the clips to the lugs.

Transferring Resident - DPS Spreader Bar

WARNING

To avoid entrapment, make sure to keep the residents hair, arms and feet close to the body and use designated grab supports during any movement.

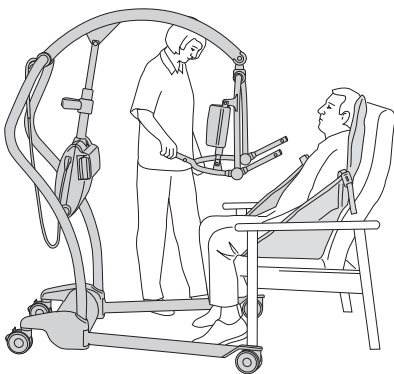
Fig. 1



WARNING

To avoid entrapment of the residents or caregivers legs or feet, make sure that they are kept clear of all obstacles.

Fig. 2

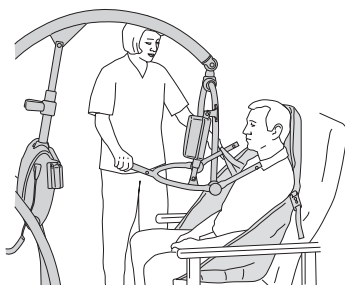
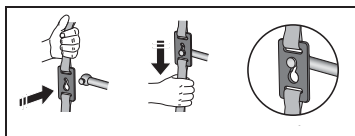


To Lift from a Chair

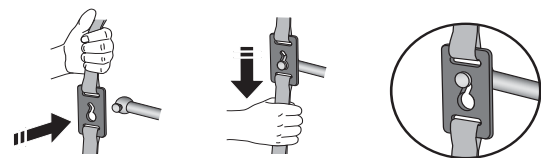
(7 Steps)

- 1 Place the sling around the resident so that it covers his/her lower back and the head support covers behind the head. Pull each leg piece and position it under each thigh. The leg pieces should be brought under and between the thighs. (See Fig. 1)
- 2 Make sure the positioning handle on the spreader bar is facing away from the resident. The wide part of the spreader bar should be positioned at, or just below shoulder level. Make sure that the *Maxi Twin* lift is close enough to be able to attach the sling shoulder clips to the spreader bar. (See Fig. 2)
- 3 Once the *Maxi Twin* lift is in position, attach the shoulder strap clips to the lugs on the spreader bar. Pull the clip strap down for the lug to attach correctly in the clip. (See Fig. 3)

Fig. 3



NOTE



The chassis rear castors have brakes which can be foot operated. Do not apply castor brakes at this stage. The position of the resident will adjust to his/her centre of gravity while being lifted.

Continue with the steps on the next page.

Fig. 4



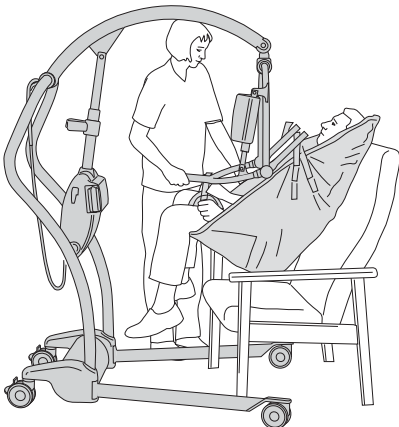
- 4 Press down on the positioning handle of the spreader bar and attach the leg strap clips. Pull the clip strap down for the lug to attach correctly in the clip. (See Fig. 4)

If necessary, lower the spreader bar using the hand control. Be careful not to lower it on the resident, in that case stop pressing the button on the hand control.

NOTE

If the hand control button is released during lifting or lowering, the powered motion will stop immediately.

Fig. 5



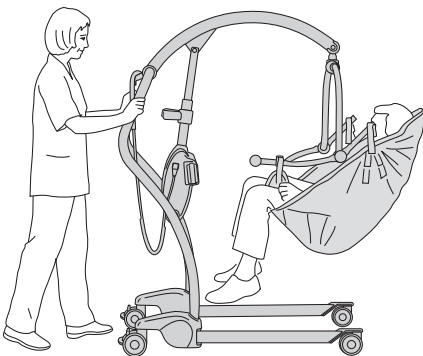
- 5

WARNING

To avoid the resident falling, make sure that sling clips or loops are securely attached before as well as during the lifting initiation.

Raise the resident by operating the hand control and move the lift away from the chair. Carefully lift the positioning handle until the resident is reclined in the sling with head support. This is the most comfortable position for transfer, as it reduces pressure on the thighs from the leg pieces. The angle of recline can be adjusted for increased comfort if the resident is uncomfortable. (See Fig. 5)

Fig. 6



- 6 Before transfer, turn the resident to face the caregiver at normal chair height. This provides confidence, secure feeling and improves the *Maxi Twin* lift's stability. (See Fig. 6)
- 7 Remember to release the brakes, if these have been applied, before attempting to transfer the resident. Close the legs of the chassis to help out in the transfer process.

To lower the resident back into a chair - or when transferring from bed to chair.

When returning to a chair, make sure the lift legs are positioned around the legs/wheels of the chair. (See Fig. 7)

To position the resident over the chair, use the lift handles, do NOT pull the sling. The resident suspended in sling should always remain in the centre of gravity. (See Fig. 5)

Use the hand control to lower the resident.

To avoid further lifting effort, push down on the positioning handle to put the resident into a good sitting position. Do not push down too quickly, as this may jerk the resident's head forward.

Fig. 7

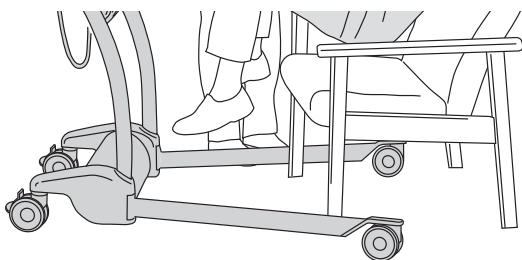


Fig. 1

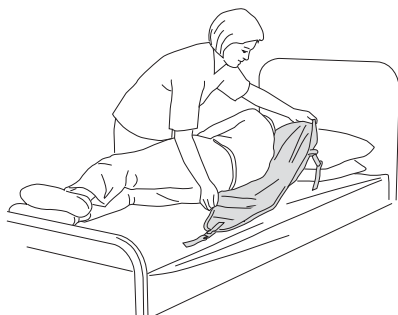


Fig. 2



Fig. 3

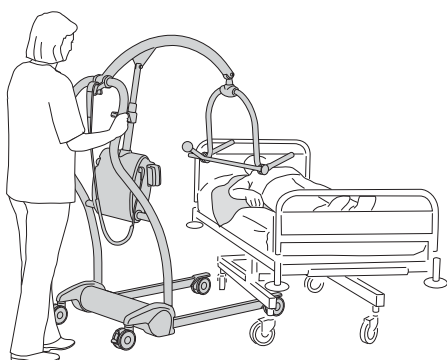
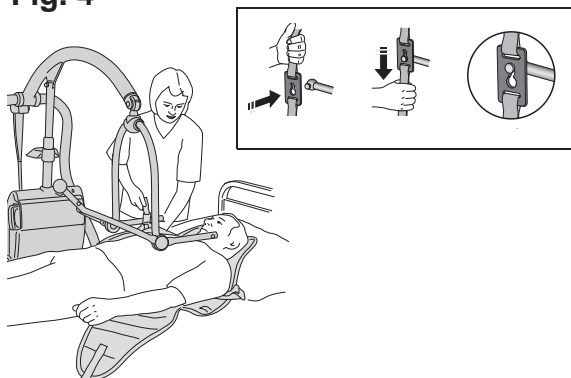


Fig. 4



To Lift from a Bed

(10 Steps)

Before lifting a resident from a bed, make sure there is enough space underneath the bed to accommodate the *Maxi Twin* lift chassis legs.

- 1 Position the resident onto the sling. Roll the resident towards you then fold the sling in half and place it behind the resident's back. (See Fig. 1)

- 2 **Alt. 1**
Position the sling carefully so that the resident gets rolled back centrally on the sling. The head support area of the sling should cover behind the resident's neck. (See Fig. 2)

NOTE

To bring out the folded sling under the resident, roll the resident from the opposite direction and pull the folded sling out

Alt. 2 the resident can be brought into a sitting posture. Position the sling as detailed in the previous section *To Lift from a Chair* on page 22.

- 3 **WARNING**

To avoid injury, make sure there is a safe distance between the resident and the device. Pay particular attention to resident with uncontrollable movements.

Approach the bed with the open side of the spreader bar towards the resident's chest. Using the adjustable width chassis legs, it is possible to manoeuvre around obstructions such as bed legs. (See Fig. 3)

- 4 Position the *Maxi Twin* lift so that the spreader bar is just above and centrally situated over the resident. Tilt the spreader bar by using the positioning handle, until the shoulder attachment lugs can be connected to the sling shoulder strap clips. (See Fig. 4)
- 5 The leg pieces must be brought under the thighs to connect, this may involve lifting one leg at a time. You may need to lower the spreader bar a little more, using the hand control. Press down on the positioning handle until the sling leg pieces reach the connections.

Continue with the steps on the next page.

Fig. 5



6 **WARNING**

To avoid the resident falling, make sure that sling clips or loops are securely attached before as well as during the lifting initiation.

When lifting from the bed, some caregivers prefer to connect the leg pieces first. This particularly applies to residents' with large thighs. In that case, raise the hip and knee into maximum flexion and attach the leg strap clips. Tilt the spreader bar towards the shoulders for connection. (See Fig. 5)

7 **WARNING**

To avoid the resident falling, make sure that sling clips or loops are securely attached before as well as during the lifting initiation.

Lift the resident using the hand control and adjust resident to a comfortable position before the transfer. The specially designed sling with head support, enables one person to carry out a complete lifting function without additional help.

8 **WARNING**

To avoid the resident from falling or caregiver from being injured, only detach the sling clips when the resident's body weight is fully supported by the bed or chair.

When returning to a bed, make sure the lift is positioned perpendicular to the bed. (See Fig. 6)
To position the resident over the bed, use the lift handles, do NOT pull the sling. The resident suspended in sling should always remain in the centre of gravity.
Use the hand control to lower the resident. (See Fig. 7)

Fig. 6

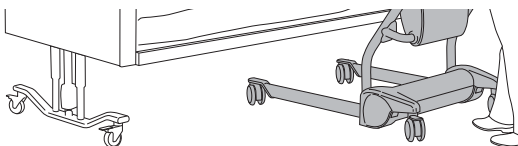
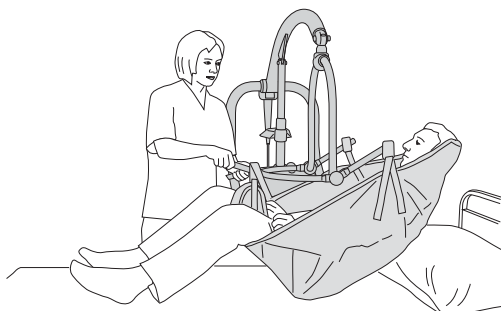


Fig. 7

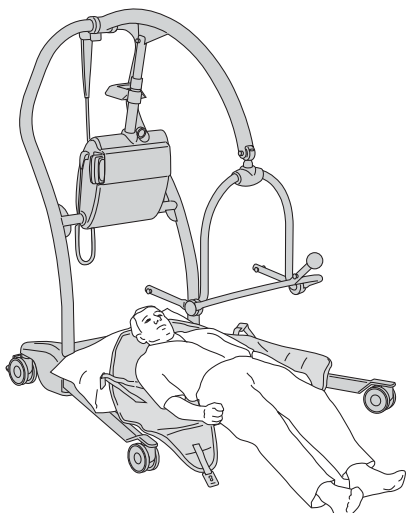


9 **WARNING**

To avoid entrapment of the residents or caregivers legs or feet, make sure that they are kept clear of all obstacles.

10 Move the *Maxi Twin* lift away before removing the sling from under the resident. If transferring the resident to a chair refer to the previous section *To Lift from a Chair on page 22.*

Fig. 1



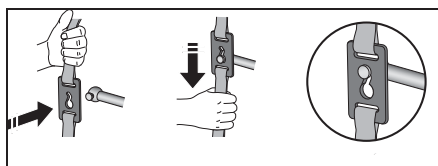
To Lift from the Floor (7 Steps)

WARNING

To avoid entrapment of the residents or caregivers legs or feet, make sure that they are kept clear of all obstacles.

- 1 Put the sling around the resident by using the rolling or sitting up method. Depending on circumstances, space and/or position of resident etc. approach with the open part of the chassis. Open the chassis legs if necessary. (See Fig. 1)
- 2 The resident's head and shoulders could be resting on pillows for comfort. This is not a necessity when connecting the sling to a spreader bar.
- 3 With the open part of the spreader bar directed down towards the resident's shoulders, attach the shoulder strap clips. (See Fig. 2)

Fig. 2



4 WARNING

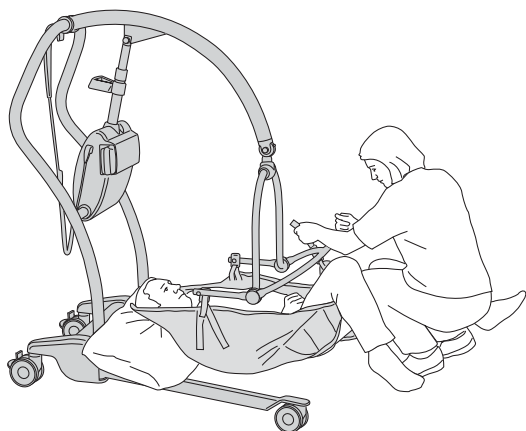
To avoid the resident falling, make sure that sling clips or loops are securely attached before as well as during the lifting initiation.

Once attached, raise the hip and knee into maximum flexion and push down on the positioning handle in order to connect the leg strap clips. This will raise the resident's head and shoulders slightly. (See Fig. 3)

CAUTION

Make sure that the sling is not put around or caught under the legs of the *Maxi Twin*. This might damage the spreader bar during the lifting.

Fig. 3



Continue with the steps on the next page.

5 When lifting from the floor, some caregivers prefer to connect the leg pieces first. This in particular applies to the very large residents with large thighs. In that case, raise the hip and knee into maximum flexion and attach the leg straps first. Tilt the spreader bar towards the shoulders for connection.

6 When all the straps have been properly connected, raise the resident from the floor. Support behind the head can be comfortable and reassuring for the resident. The leg pieces can be positioned fairly high in the crotch, straighten them out for added comfort. The resident may be positioned in a chair or placed onto a bed.

If the resident is prone to spasms, he/she may be lifted with the *Maxi Twin* lift. However, special attention needs to be paid to support the head during the early part of the lift.

7 Transfer of a resident should always be done with the chassis legs parallel (closed). Manoeuvrability will be easier, especially through doorways. The resident should be positioned facing the caregiver.

Transferring the Resident - Loop Spreader Bar

WARNING

To avoid entrapment of the residents or caregivers legs or feet, make sure that they are kept clear of all obstacles.

WARNING

To avoid entrapment, make sure to keep the residents hair, arms and feet close to the body and use designated grab supports during any movement.

Use Arjo loop slings with the 2-point loop bar.

To Lift from a Chair

(7 steps)

- 1 Lean the resident forward if necessary.
- 2 Slide the sling down the resident's back until seam (C) reaches the base of the spine. (See Fig. 1)
- 3 Attach the shoulder loops to the hooks (A).
See section, *Attachment of Clip/Loop (Passive Sling) on page 19.*
- 4 Take attachment points (B) and loop the leg pieces of the sling underneath the resident's thighs. (See Fig. 1)
- 5 **Alt 1 Straight leg attachment**
Attach leg pieces to the same side hook (A) as the shoulder attachment (left straps to left hook and right straps to right hook). (See Fig. 1) See section, *Attach the Leg Clips/Loops (Passive Sling) on page 21.*
Alt 2 Crossed leg attachment
Bring the loops in a cross formation between the thighs. Attach the leg pieces to the "opposite side" hooks (A) of the loop spreader bar. (See Fig. 1) See section, *Attach the Leg Clips/Loops (Passive Sling) on page 21.*
- 6 Make sure the sling pieces are not twisted underneath the resident.

7 WARNING

To avoid the resident falling, make sure that sling clips or loops are securely attached before as well as during the lifting initiation.

Once the sling has been positioned and attached securely to the loop bar then lifting can be carried out using the hand control.

Fig. 1

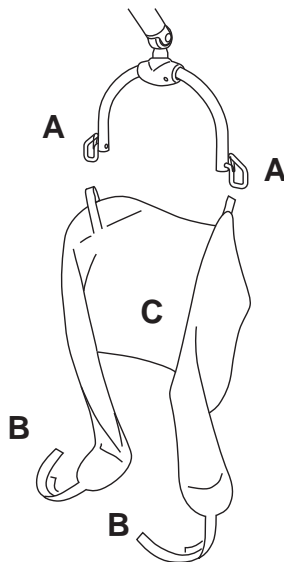
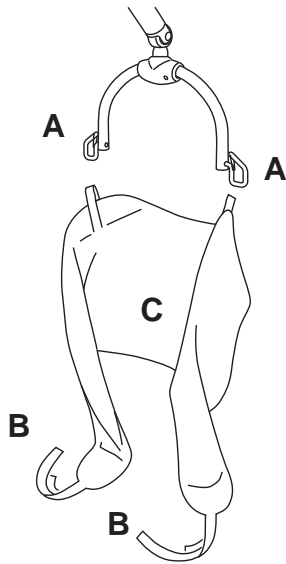


Fig. 1



To Lift from a Bed

(7 steps)

- 1 Place the sling under the resident as if it was a drawsheet.
- 2 Attach the shoulder loops to the hooks (A).
See section, *Attachment of Clip/Loop (Passive Sling)* on page 19.
- 3 Flex the resident's legs and bring the sling leg pieces under the thighs.
- 4 Take attachment points (B) and loop the leg pieces of the sling underneath the resident's thighs. (See Fig. 1)

5 Alt 1 Straight leg attachment

Attach leg pieces to the same side hook (A) as the shoulder attachment (left straps to left hook and right straps to right hook). (See Fig. 1) See section, *Attach the Leg Clips/Loops (Passive Sling)* on page 21.

Alt 2 Crossed leg attachment

Bring the loops in a cross formation between the thighs. Attach the leg pieces to the "opposite side" hooks (A) of the loop spreader bar. (See Fig. 1) See section, *Attach the Leg Clips/Loops (Passive Sling)* on page 21.

- 6 Make sure the sling pieces are not twisted underneath the resident.

7

WARNING

To avoid the resident falling, make sure that sling clips or loops are securely attached before as well as during the lifting initiation.

Once the sling has been positioned and attached securely to the loop bar then lifting can be carried out using the hand control.

To Lift from the Floor

(5 steps)

- 1 Put the sling down behind the resident's back and bring the leg pieces of the sling into position.

CAUTION

Make sure that the sling is not put around or caught under the legs of the *Maxi Twin*. This might damage the spreader bar during the lifting.

- 2 Place the resident's legs over the chassis and bring the lift into position. (See Fig. 1)
- 3 With the jib as low as possible, attach the shoulder loops.
- 4 Bend up the resident's knees to help the connection of the leg pieces.

WARNING

To avoid the resident falling, make sure that sling clips or loops are securely attached before as well as during the lifting initiation.

Once the sling has been positioned and attached securely to the loop bar then lifting can be carried out using the hand control.

To Lift with a Large Loop Bar

(3 steps)

The large loop bar has two extra attachment hooks for the leg straps. (See Fig. 2)

Follow the same lifting methods as described for the regular loop bar except:

- 1 The legs straps are to be attached to the hook closest to the legs.
- 2 The back side of the sling closest to the shoulders hooks of the loop bar.

WARNING

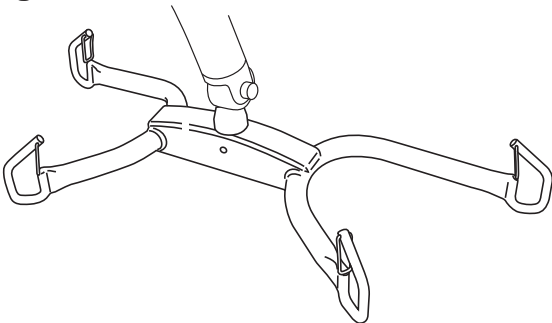
To avoid the resident falling, make sure that sling clips or loops are securely attached before as well as during the lifting initiation.

Once the sling has been positioned and attached securely to the loop bar then lifting can be carried out using the hand control.

Fig. 1



Fig. 2



Home Care Use

For Distributors and Renters

When transporting the *Maxi Twin* lift to the customer with a van:

- Make sure the lift is properly secured during transport.
- Avoid manoeuvring the lift in dirty ground when transporting it to and from the van.

When delivering the *Maxi Twin* lift make sure that:

- You read this *IFU* together with the receiver (including relatives and caregivers).
- Show the features and intended usage described in the *IFU* with help of the real product.
- The user has understood the cleaning and disinfection instructions.
- Read all the warnings to the receiver.
- The environment fulfils all the requirements described in this *IFU*.

Cleaning and disinfection:

- Make sure that the cleaning and disinfection procedure described in this *IFU* always is carried out before the product reaches a new user.
- Make sure that the cleaning and disinfection procedure described in this *IFU* always is carried out before and after any type of service procedure.

Using the Maxi Twin Lift

Before using the *Maxi Twin* lift in home environment make sure that: (See Fig. 1-3)

WARNING

To avoid the device from tipping and the resident from falling, do not use the equipment on floor with recessed drains, holes or slopes exceeding a ratio of 1:50 (1.15°).

- All caregivers, including relatives, have read and understood the instructions in this *IFU*.
- All carpets and rugs in the environment are removed.
- All thresholds in the environment are removed.
- All stairs and edges have a fence and safety gate to prevent the lift from rolling down.
- There is room enough in the environment for use of the lift.

During Storage of the *Maxi Twin* lift make sure that:

WARNING

To avoid strangulation, make sure to never leave children unattended near the equipment.

- No children can access the lift.
- No pets can come in contact with the lift.
- The storage environment fulfils the requirements specified under *Technical Specifications on page 41*.

Fig 1

Transfer between bed and wheelchair with a sling lift

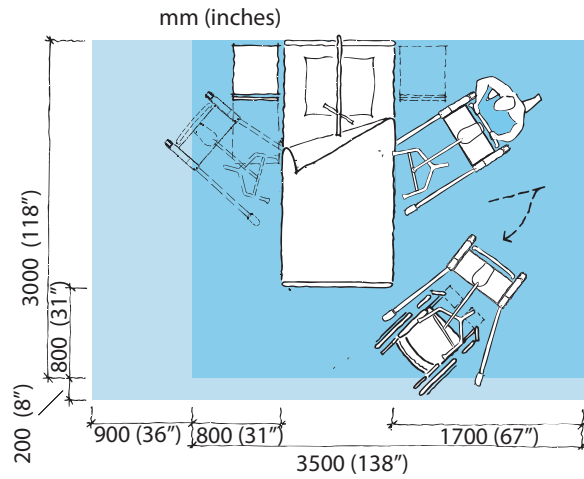


Fig 2

Toileting with a sling lift

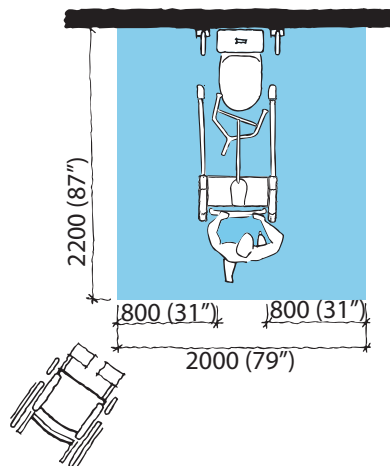
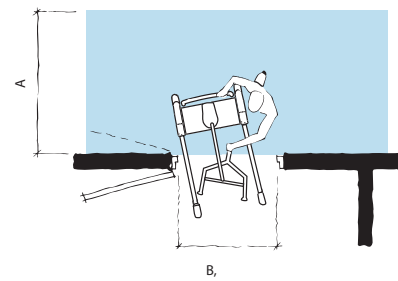
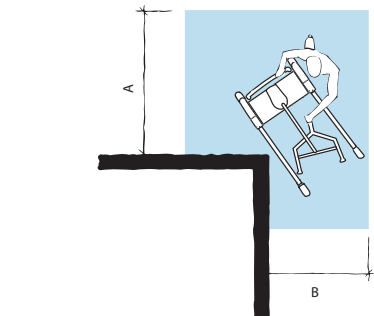
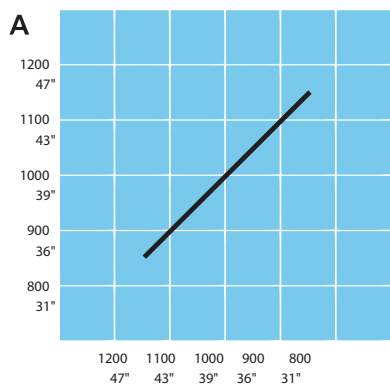


Fig 3



Battery Instructions

WARNING

To avoid bodily injury, do NOT crush, puncture, open, dismantle or otherwise mechanically interfere with the battery.

- **Should the battery casing crack and cause contents to come in contact with skin or clothing, rinse immediately with plenty of water.**
- **If contents come in contact with the eyes, rinse immediately with plenty of water and seek medical attention.**

Inhalation of the contents can cause respiratory irritation. Provide fresh air and medical attention.

- Be careful not to drop the battery.
- Contact the appropriate local authority for advice when disposing of batteries.
- Check label on the battery.

Storage of Batteries

- The battery is delivered charged but we recommend you recharge the battery when received due to a slow self discharge.
- This battery will slowly self discharge when not used.
- A battery not in use should be stored in a temperature range of -0 °C (32 °F) to + 30 °C (86 °F).
- For maximum battery performance do not store the battery above 50 °C (122 °F).

Charging Intervals

- To prolong the life of the battery, charge it at regular intervals, i.e. every night.
- If the *Maxi Twin* lift is used frequently, it is recommended to use two batteries, one in operation and one as a stand-by in the charger.
- It's recommended that a battery not in use is left in the charger. There is no risk of overcharging the battery.

Battery Service Life

Make sure to always have two well functional batteries, one to use and one in storage.

If using a freshly charged battery and the battery indicator starts to flash and sound after only a few activities are carried out, it is time to order a new battery.

Low Charge Warning

A buzzer sound will go off when the battery reaches a low charge. The battery should then be recharged as soon as possible.

Installation of Charger

See *Battery Charger IFU*.

How to Change the Battery

See *Battery Charger IFU*.

Cleaning and Disinfecting Instructions

Only use Arjo Branded Disinfectant Cleansers (e.g. Arjo Clean™).

If you have any questions regarding disinfecting the *Maxi Twin* lift, or wish to order disinfectant fluid, contact Arjo Customer Service.

Make sure to have the Material Safety Data Sheets (MSDS) available for the disinfectant being used.

Accessories for Disinfecting the Maxi Twin

- Protective gloves
- Protective glasses
- Spray bottle with disinfectant
- Spray bottle with water
- Cloth - wet and dry
- Disposable towels
- Soft bristled brush

WARNING



To avoid eye and skin damage, always use protective glasses and gloves. If contact occurs rinse with plenty of water. If eyes or skin becomes irritated, contact a physician. Always read the material safety data sheet of the disinfectant.

WARNING

To prevent cross-contamination, always follow the disinfection instructions in this *Instructions for Use*.

WARNING

To avoid eye or skin irritation, never disinfect in the presence of a resident.

CAUTION

To avoid damage on the equipment only use Arjo branded disinfectants.

CAUTION

Do not over spray areas of the product which could cause problems with electrical components and/or internal corrosion.

Always Follow these 10 Steps for Cleaning and Disinfection.

If an Arjo shower panels will be used, see respective *IFU*.

Removing visual residue (Step 1-2 of 10)

1 Remove slings from the lift.

2 Clean

- the *Maxi Twin* lift
- all removed parts

from visible residue using a cloth soaked in water alt. spray with water and wipe with a clean cloth. Start from top and move downwards.

Cleaning (Step 3-5 of 10)

3 Spray disinfectant on

- the *Maxi Twin* lift
- all removed parts

Use a brush or a cloth if need for cleaning (to remove any deposits).

4 Use a new wet cloth to wipe off all traces of disinfectant on the:

- the *Maxi Twin* lift
- all removed parts

or if more suitable by spraying water and wipe with a clean cloth.

5 Repeat until all of the disinfectant has been removed.

Disinfection (Step 6-10 of 10)

6 Spray disinfectant on the:

- the *Maxi Twin* lift
- all removed parts

7 Allow a disinfection time according to the instructions on the disinfectant bottle label.

8 Use a new wet cloth to wipe off all traces of disinfectant on the:

- the *Maxi Twin* lift
- all removed parts

or if more suitable by spraying water and wipe with a clean cloth.

9 If disinfectant cannot be removed, spray water on the affected part and wipe off with disposable towels. Repeat until all of the disinfectant has been removed.

10 Let all parts dry .

Care and Preventative Maintenance

The *Maxi Twin* lift is subject to wear and tear, and the following actions must be performed when specified to make sure that the product remains within its original manufacturing specification.

WARNING

To avoid malfunction resulting in injury, make sure to conduct regular inspections and follow the recommended maintenance schedule. In some cases due to heavy use of the product and exposure to aggressive environment more frequent inspections should be carried out. Local regulations and standards may be more stringent than the recommended maintenance schedule.

NOTE

Product cannot be maintained and serviced while in use with the patient

PREVENTIVE MAINTENANCE SCHEDULE

CAREGIVER OBLIGATIONS Action/Check	Every DAY	Every WEEK
Disinfect	X	
Visually check the slings	X	
Replace with charged battery	X	
Visually check all exposed parts		X
Visually check mechanical attachments		X
Check hand control and cable		X
Check and clean castors		X
Check the brake function		X
Visually check battery charger and battery		X
Perform functionality test		X

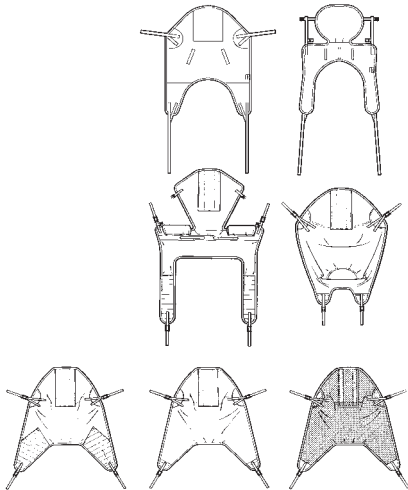
WARNING

To avoid injury to both resident and caregiver, never modify the equipment or use incompatible parts.

Caregiver Obligations

Caregiver obligations shall be carried out by personnel with sufficient *Maxi Twin* knowledge and by following the instructions in this *IFU*.

Fig. 1



Every day

- **Disinfect the *Maxi Twin* lift.** The *Maxi Twin* lift has to be disinfected immediately after use. Arjo cleaning agents should be used in recommended concentrations.
- **Visually check the slings.** Check for fraying, holes, cuts, loose stitching and damaged plastic clips. If the sling is found damaged in any way, take out of use immediately and replace the sling. (See Fig. 1)
- **Use a fully charged battery** at the beginning of the day.

Every week

- **Visually check all exposed parts**, especially where personal contact is made by either the resident or caregiver. Make sure no cracks or sharp edges have developed that could cause the resident or user injury or that has become unhygienic. Replace damaged parts.
- **Visually check all mechanical parts.** Visually check the attachment for the actuators (A) and the attachment between jib and spreader bar (B). Visually check the sling attachment knobs (C), for damage. Check the spreader bar pivot for any suspect damage, for instance, such as protruding plastic (D). (See Fig. 2)
- **Check hand control and cable:** Visually check the condition of the hand control and its cable. If found cut, damaged or exposed wiring, replace it. (See Fig. 3)

Fig. 2

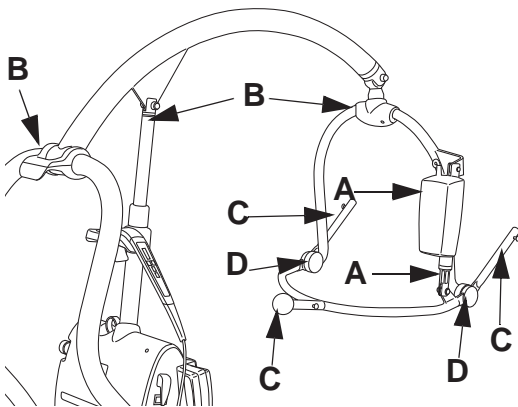


Fig. 3

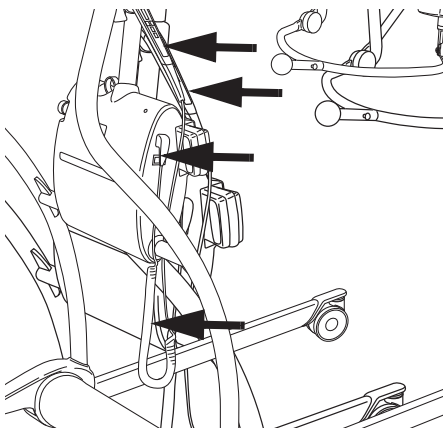


Fig. 4

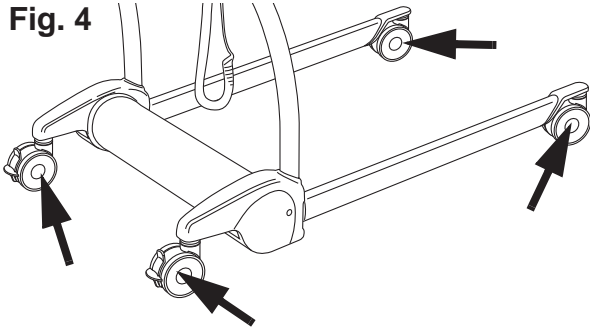
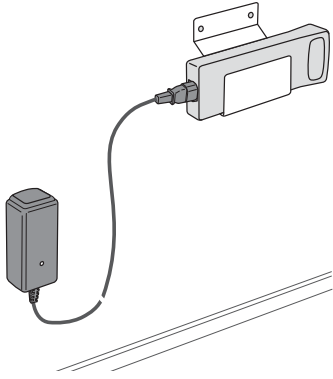


Fig. 5



- Check that the castors are properly fixed and that they roll and swivel freely. Clean with water. (The function can be affected by soap, hair, dust and chemicals from floor cleaning). Check the brake function. (See Fig. 4)
- **Visually check the condition of the battery charger, its cable and the batteries.** Remove and replace immediately if damaged. (See Fig. 5)
- **Perform a full functionality test** and by lifting up and down. Test the movement of the spreader bar and the open/close function of the legs. All functions should work as expected without divergences.

Yearly

The *Maxi Twin* lift has to be serviced according to the Preventive Maintenance Schedule (Qualified Personnel Action/Check).

WARNING

To avoid injury and/or unsafe product, the maintenance activities must be carried out at the correct frequency by qualified personnel using correct tools, parts and knowledge of procedure. Qualified personnel must have documented training in maintenance of this device.

QUALIFIED PERSONNEL Action/Check	Every YEAR
Check that the latest upgrades have been implemented	X
Check all vital parts for corrosion and damage	X
Check mechanical attachments	X
Perform a safe working load test (local requirements)	X
Check all actuators for function and range	X
Check movable parts of the spreader bar	X
Check function of emergency lowering	X
Check function of emergency stop	X
Check the safety stop function	X
Check/replace castors	X
Check battery	X
Perform full feature functionality test	X

NOTE


All Caregiver Obligations are to be checked when performing the Qualified Personnel Service.

Troubleshooting

PROBLEM	ACTION
The lift raises or lowers after the hand control buttons are released.	Activate the red emergency stop button and pull the battery out, remove the resident from the lift and contact qualified personnel.
The lift does not raise or descend when the hand control buttons are pressed.	<ol style="list-style-type: none"> 1 Make sure that the battery is fully connected in the battery compartment. 2 Make sure that the hand control connection plug is properly connected to the socket. 3 Make sure that the battery is charged. <div style="border: 1px solid black; padding: 5px; margin: 5px 0;"> <p>WARNING To avoid injury, make sure that the resident is not left unattended at any time.</p> </div> <ol style="list-style-type: none"> 4 Make sure the emergency stop button is inactivated by turning the red knob clockwise. 5 Use the emergency lowering to lower the resident. Pull the purple ring up to operate. When the ring is released the movement will stop - remove the resident from the lift and contact qualified personnel.
The lift is hard to manoeuvre during transfer.	<ol style="list-style-type: none"> 1 Make sure all brakes are released <div style="margin-left: 40px;">Make sure all castors roll and swivel freely - if not, remove the resident from the lift and contact qualified personnel.</div>
The lift is making abnormal sounds during lifting or transfer.	Remove the resident from the lift and contact qualified personnel.
It is only possible to lower the lift.	The lifting device of this equipment is equipped with a safety nut. If the safety nut will be activated it will only be possible to lower the equipment into a safe position. In case of this scenario stop using the equipment and contact qualified personnel for repair of the equipment.

ALARMS	ACTION
A buzzing is heard as the lift is raised.	<p>The battery needs charging - complete the transfer operation in progress and change to a fully charged battery.</p> <div style="border: 1px solid black; padding: 5px; margin: 5px 0;"> <p>WARNING To avoid injury, make sure that the resident is not left unattended at any time.</p> </div>
The lift stops its motion as the lift is lowered/raised or when the spreader bar is moved to a sitting position.	The lift has been lowered/raised against a fixed object. Carefully raise/lower and reposition the lift.
Only a few activities are carried out before the battery indicator will flash and sound.	<p>Replace the battery with a fully charged one.</p> <p>If using a freshly charged battery and the battery indicator starts to flash and sound after only a few activities are carried out, it is time to order a new battery.</p>

Technical Specifications

Maxi Twin	
Safe working load (SWL) (Max patient weight regardless of spreader bar)	182 kg (400 lbs.)
Colour	Grey
Medical equipment	type BF 
Sound level	49 dB (A)
Mode of operation	ED max 10%; Max 2 min ON, Min 18 min OFF
Operating forces of controls	2.7 N
Degree of fire protection	In accordance with standard EN 60601-1.
Pollution degree	2

Component weights	
Maxi Twin Lift (no scale, hanger bar or battery)	45.5 kg (100 lbs.)
Maxi Twin Lift and Scale (no hanger bar or battery)	48.5 kg (107 lbs.)
Maximum total weight of lift (Lift and Patient)	240 kg (526 lbs.)
Powered DPS Hanger bar	8 kg (15,2 lbs.)
Manual DPS Hanger bar	5 kg (11 lbs.)
Small Loop Hanger	1.7 Kg (3,7 lbs.)
Medium Loop Hanger	1.9 kg (4,2 lbs.)
Large Loop Hanger	2.8 kg (6,2 lbs.)
Battery Pack	1.5 kg (3,3 lbs.)

Allowed combinations	
The Maxi Twin Lift can be used with the following Arjo products:	Maxi Twin Scale, Carendo, Carino, Rhapsody/Primo, Concerto, Prelude, Malibu, Parker Bath, Manual DPS Medium, Power DPS Medium, 2-Point Spreader bar Small, 2-Point Spreader bar Medium, 4-Point Spreader bar Large,
No other combinations are allowed.	

Operation, Transport and Storage	
Ambient temperature range	Operation +10°C to +40°C (+ 50°F to 104°F) Transport and Storage -20 °C to +70 °C (-4 °F to +158 °F)
Relative humidity range	30% - 75% Operation 10% - 80% Transport and Storage
Atmospheric pressure range	800 - 1060 hPa Operation 500 - 1100 hPa Transport and Storage

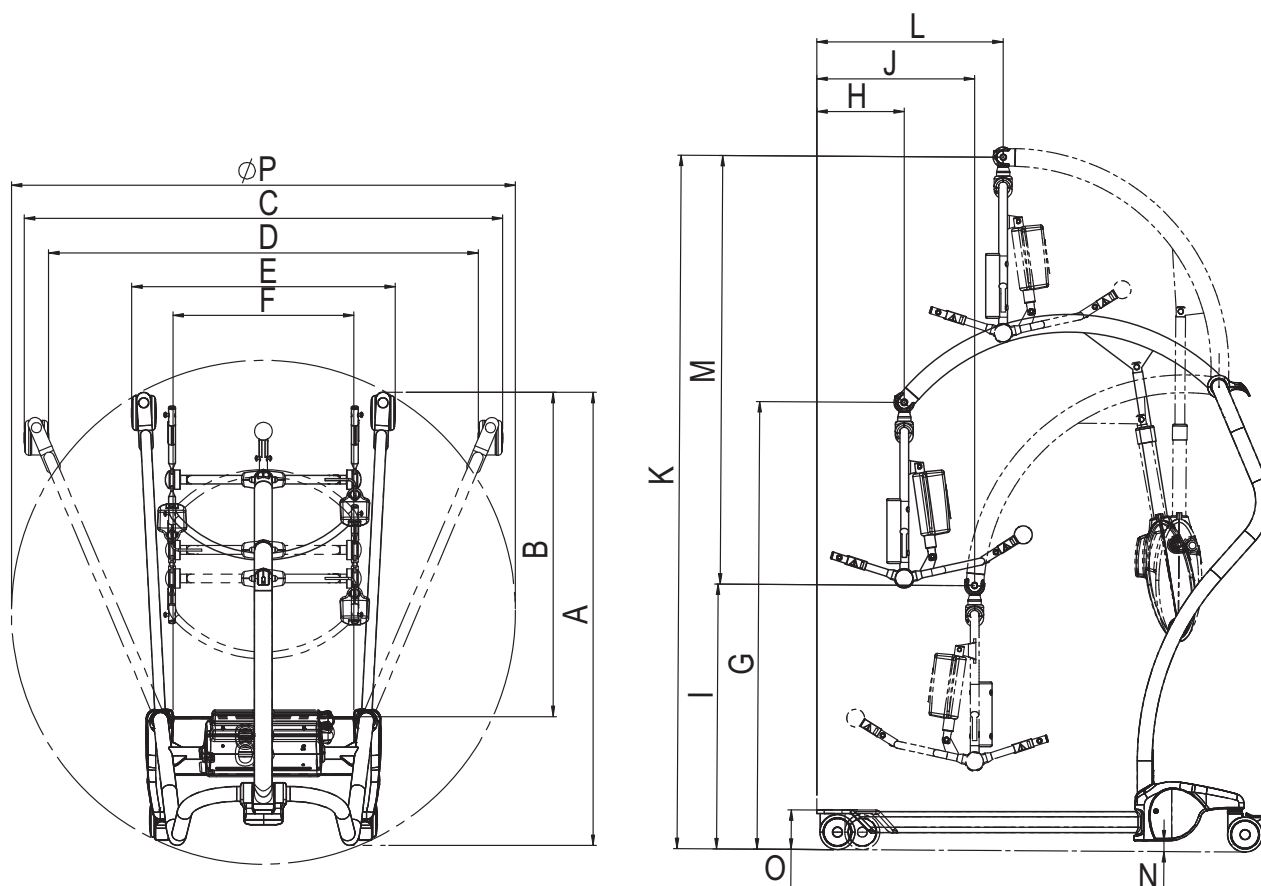
Electricity	
Battery	Arjo NEA 0100
Battery Charger	Type no: NEA 8000
Equipment voltage	24 V DC
Protection class	IP 24 IP: Ingress Protection 2: Protection against insertion of fingers or similar objects. 4: Water splashing against the product from any direction does not effect safety or essential performance
Hand control Protection class	IP X7 IP: Ingress Protection X: The protection against contact and ingress of objects is not specified for this product. 7: Immersion up to 1 m of the product does not effect safety or essential performance
Fuse	F1 F10AL 250 V
Fuse	F2 T4AL 250 V

Recycling	
Package	Wood and corrugated cardboard, recyclable

End of Life Disposal	
<ul style="list-style-type: none"> • All batteries in the product must be recycled separately. Batteries are to be disposed in accordance with national or local regulations. • Slings including stiffeners/stabilizers, padding material, any other textiles or polymers or plastic materials etc. should be sorted as combustible waste. • Lift systems having electrical and electronic components or an electrical cord should be disassembled and recycled per Waste of Electrical and Electronic Equipment (WEEE) or in accordance with local or national regulation. • Components that are primarily be made up of different kinds of metal (containing more than 90% metal by weight) for example sling bars, rails, upright supports, etc., should be recycled as metals. 	

Dimensions

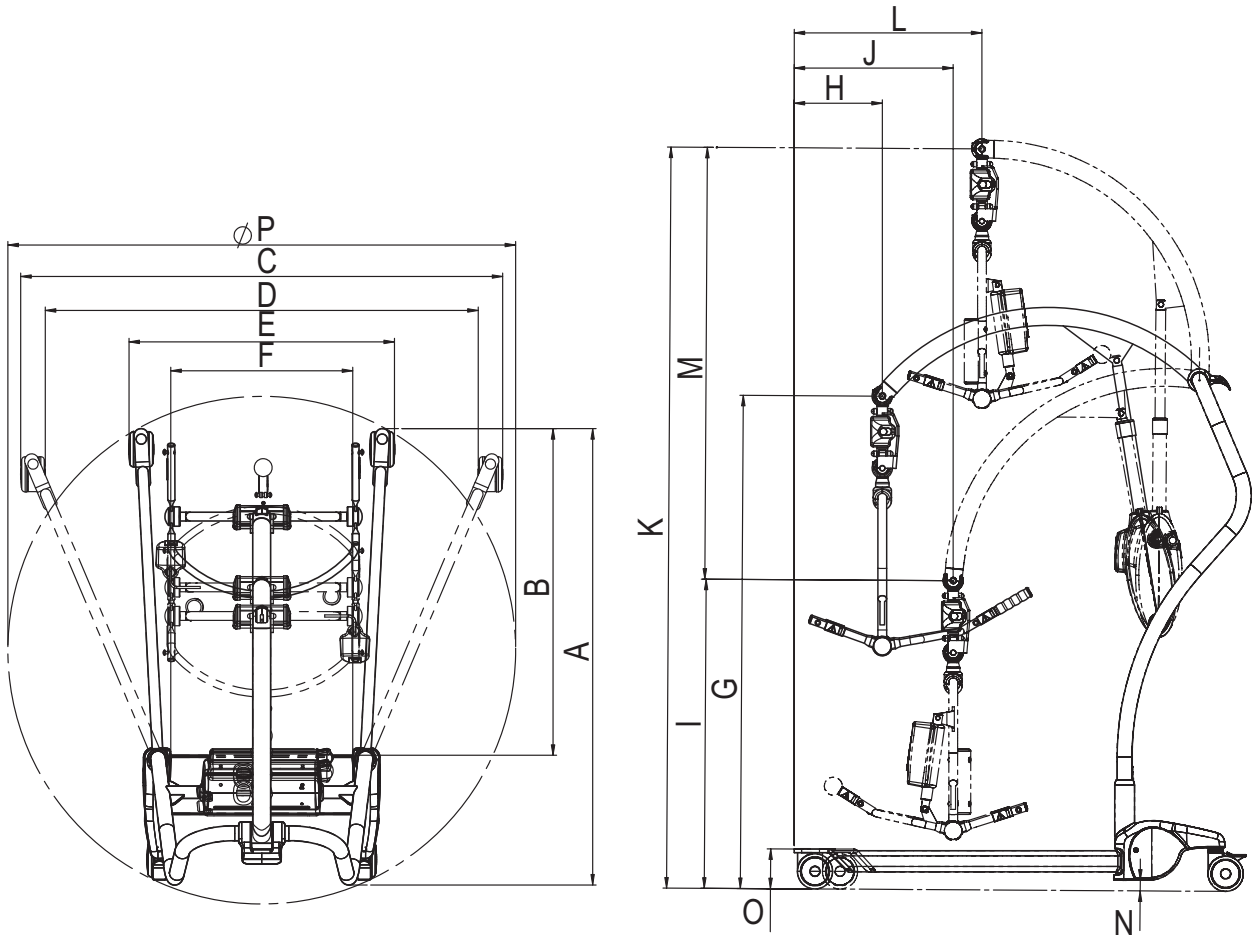
Dimensions of the *Maxi Twin* lift



C.S.P = Central Suspension Point

Reference	Note	Dimension (mm)
A	Max. External Length	1298
B	Max. Internal Length	929
C	Max. External Width	1371
D	Max. Internal Width	1231
E	Min. External Width	755
F	Min. Internal Width	518
G	Height of C.S.P at Max. Hoisting Reach	1281
H	Max. Hoisting Reach	250
I	Min. Height of C.S.P	758
J	Hoisting Reach at Min. Height of C.S.P	452
K	Max. Height of C.S.P	1985
L	Hoisting Reach at Max. Height of C.S.P	533
M	Hoisting Range	1227
N	Min. Clearance	31
O	Max. Height Std. Castors	113
P	Turning Diameter	1444

Dimensions of the *Maxi Twin* lift with a scale

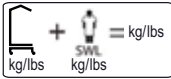

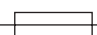








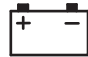




C.S.P = Central Suspension Point

Reference	Note	Dimension (mm)
A	Max. External Length	1298
B	Max. Internal Length	929
C	Max. External Width	1371
D	Max. Internal Width	1231
E	Min. External Width	755
F	Min. Internal Width	518
G	Height of C.S.P at Max. Hoisting Reach	1401
H	Max. Hoisting Reach	250
I	Min. Height of C.S.P	878
J	Hoisting Reach at Min. Height of C.S.P	452
K	Max. Height of C.S.P	2105
L	Hoisting Reach at Max. Height of C.S.P	533
M	Hoisting Range	1227
N	Min. Clearance	31
O	Max. Height Std. Castors	113
P	Turning Diameter	1444

Labels on the Maxi Twin

On the data label you will find the following information:

SWL	Safe Working Load
	Total mass of equipment including its safe working load.
	Lifting stroke
24V DC	Supply voltage
MAX: 200 VA	Maximum power
	Fuse F1 F10AL 250 V Fuse F2 T4AL 250 V
IP 24	Degree of protection (i.e. the product is protected against insertion of fingers and splashing water)
	Type BF Applied part: protection against electrical shock in accordance with EN/IEC 60601-1.
2 min on/ 18 min off	Mode of operation for Hi/Lo function: Maximum 2 minutes ON; Minimum 18 minutes OFF
NEA0100-083 24Vdc 2.5 Ah	Product no and data of the battery
	Read the <i>IFU</i> before use
	Separate electrical and electronic components for recycling in accordance with the European Directive 2012/19/EU (WEEE)
	CE marking indicating conformity with European Community harmonised legislation Figures indicate Notified Body supervision.
	Indicates the product is a Medical Device according to EU Medical Device Regulation 2017/745

	TÜV marking. The lift has been safety tested in accordance with the Approvals and List of Standards and degree of protection.
	A battery is the power source of this equipment.
	Environmental danger. Not for disposal
	Recyclable
	Name and address of the manufacturer
	Manufacturing date

Identification label

The identification label states the type of equipment and serial number (see figure).

Sling range label

Fitted to the spreader bar frame for quick colour reference to size and safe working load.

Attention label

On the spreader bar frame to indicate “not for use in bath or shower”.

Clips instructions labels

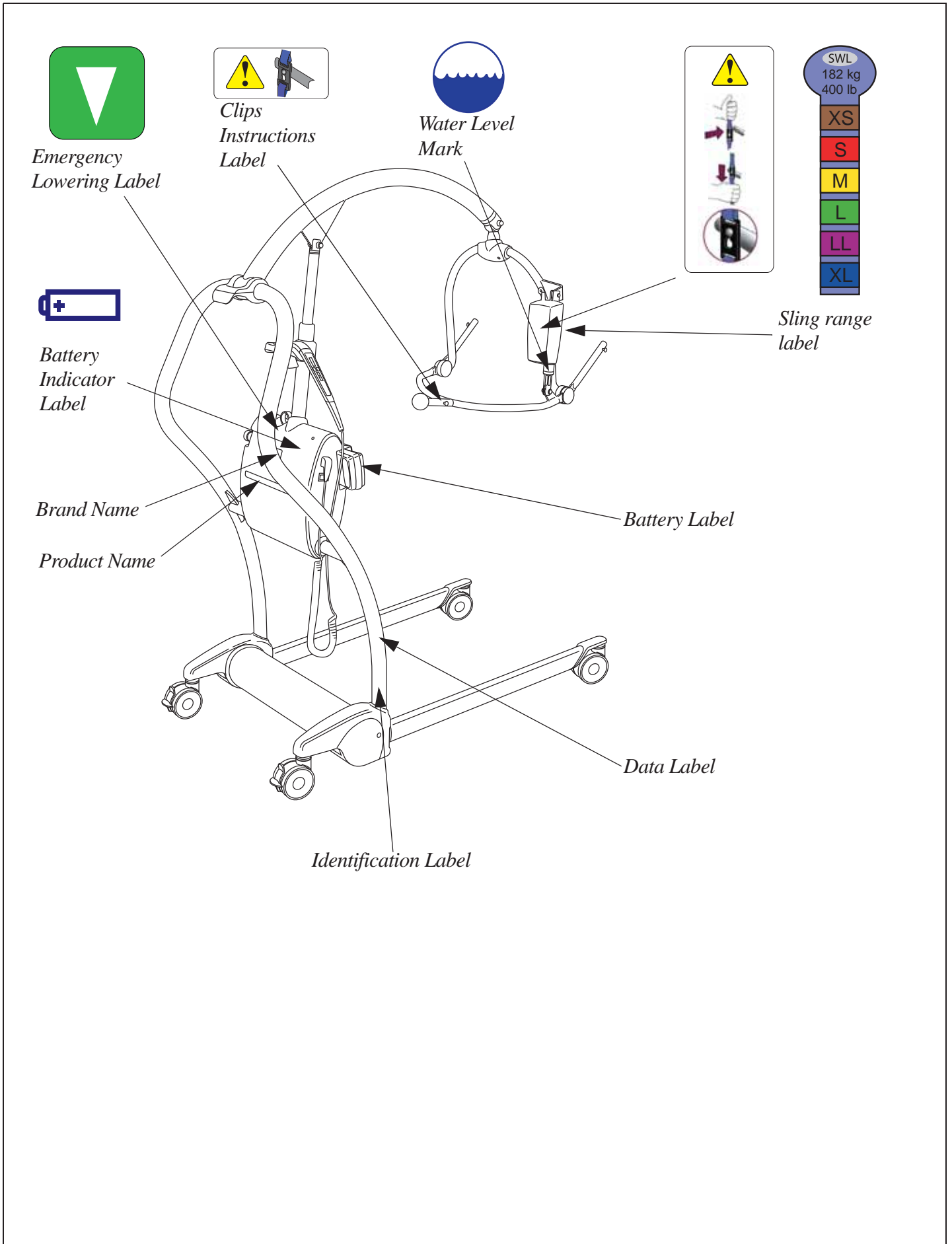
Labels placed by the knobs where the clips should be connected and on the spreader bar actuator.

Battery indicator label

Positioned on the battery housing to indicate when the battery needs charging.

Emergency lowering label

Positioned near the control of emergency lowering.



List of Standards and Certificates

STANDARD/CERTIFICATE	STANDARDS
EN/IEC 60601-1:2005 AMD1:2012	Medical Electrical Equipment - Part 1: General Requirements for Basic Safety and Essential Performance
ANSI/AAMI ES60601-1 (2005) AMD 1 (2012)	Medical Electrical Equipment - Part 1: General Requirements for Basic Safety and Essential Performance
CAN/CSA-C22.2 No. 60601-1:14	Medical Electrical Equipment - Part 1: General Requirements for Basic Safety and Essential Performance
ISO 10535:2006	Hoists for the transfer of disabled persons -- Requirements and test methods
EN/IEC 60601-1-11:2015	Requirements for medical electrical equipment and medical electrical systems used in the home healthcare environment

Electromagnetic Compatibility

Product has been tested for compliance with current regulatory standards regarding its capacity to block EMI (electromagnetic interference) from external sources.

Some procedures can help reduce electromagnetic interferences:

- Use only Arjo cables and spare parts to avoid increased emissions or decreased immunity which can compromise the correct functioning of the equipment.
- Ensure that other devices in patient-monitoring and/or life-support areas comply to accepted emissions standards.

WARNING

Wireless communications equipment such as wireless computer network devices, mobile phones, cordless telephones and their base stations, walkie-talkies, etc. can affect this equipment and should be kept at least 1.5m away from the equipment.


Intended Environment: Home Healthcare Environment and Professional Healthcare facility environment

Exceptions: HF Surgical Equipment and the RF Shielded room of an ME SYSTEM for magnetic resonance imaging

WARNING

Use of this equipment adjacent to or stacked with other equipment should be avoided because it could result in improper operation. If such use is necessary, this equipment and the other equipment should be observed to verify that they are operating normally.

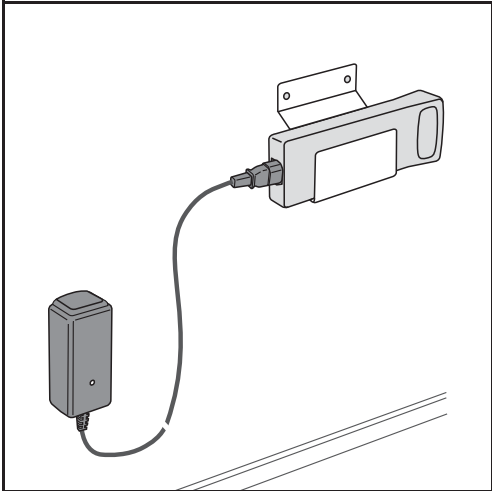
Guidance and manufacturer's declaration – electromagnetic emission		
Emission test	Compliance	Guidance
RF emissions CISPR 11	Group 1	This equipment uses RF energy only for its internal functions. Therefore its RF emissions are very low and are not likely to cause any interference in nearby electronic equipment.
RF emissions CISPR 11	Class B	This equipment is suitable for use in all establishments, including domestic establishments and those directly connected to the public low voltage power supply network that supplies buildings used for domestic purposes.

Guidance and manufacturer's declaration – electromagnetic immunity			
Immunity test	IEC 60601-1-2 test level	Compliance level	Electromagnetic environment – guidance
Electrostatic discharge (ESD) EN 61000-4-2	±2kV, ±4kV, ±8kV, ±15kV air ±8kV contact	±2kV, ±4kV, ±8kV, ±15kV air ±8kV contact	Floors should be wood, concrete or ceramic tile. If floors are covered with synthetic material, the relative humidity should be at least 30%.
Conducted disturbances induced by RF fields EN 61000-4-6	3V in 0,15 MHz to 80 MHz 6V in ISM and amateur radio bands between 0,15 MHz and 80 MHz 80% AM at 1 kHz	3V in 0,15 MHz to 80 MHz 6V in ISM and amateur radio bands between 0,15 MHz and 80 MHz 80% AM at 1 kHz	Portable and mobile RF communications equipment should be used no closer to any part of the product, including cables, than 1.0m, if the transmitter's output power rating exceeds 1W ^a . Field strengths from fixed RF transmitters, as determined by an electromagnetic site survey, should be less than the compliance level in each frequency range ^b . Interference may occur in the vicinity of equipment marked with this symbol: 
Radiated RF electromagnetic field EN 61000-4-3	Home Healthcare environment 10 V/m 80 MHz to 2,7 GHz 80% AM at 1 kHz	Home Healthcare environment 10 V/m 80 MHz to 2,7 GHz 80% AM at 1 kHz	
Proximity fields from RF wireless communications equipment EN 61000-4-3	385 MHz - 27 V/m 450 MHz - 28 V/m 710, 745, 780 MHz - 9V/m 810, 870, 930 MHz - 28 V/m 1720, 1845, 1970, 2450 MHz – 28 V/m 5240,5500, 5785 MHz - 9V/m	385 MHz - 27 V/m 450 MHz - 28 V/m 710, 745, 780 MHz - 9V/m 810, 870, 930 MHz - 28 V/m 1720, 1845, 1970, 2450 MHz – 28 V/m 5240,5500, 5785 MHz - 9V/m	
Electrical fast transient/burst EN 61000-4-4	±1kV SIP/SOP ports 100 kHz repetition frequency	±1kV SIP/SOP ports 100 kHz repetition frequency	
Power frequency Magnetic field EN 61000-4-8	30 A/m 50 Hz or 60 Hz	30 A/m 50 Hz	Power frequency magnetic fields should be at levels characteristic of a typical location in a typical commercial or hospital environment.

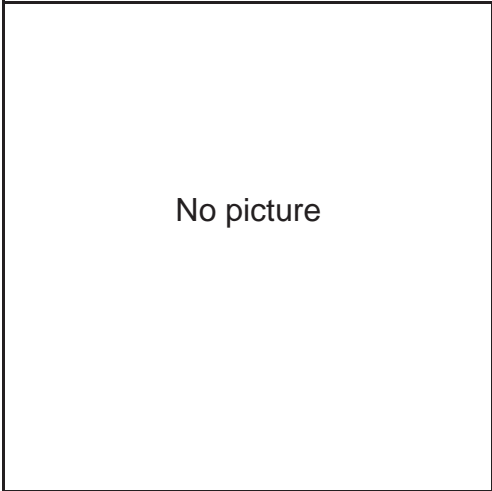
^a Field strengths from fixed transmitters, such as base stations for radio (cellular/cordless) telephones and land mobile radios, amateur radio, AM and FM radio broadcast and TV broadcast cannot be predicted theoretically with accuracy. To assess the electromagnetic environment due to fixed RF transmitters, an electromagnetic site survey should be considered. If the measured field strength in the location in which the product is used exceeds the applicable RF compliance level above, the product should be observed to verify normal operation. If abnormal performance is observed, additional measures may be necessary.

^b Over the frequency range 150 kHz to 80 MHz, field strengths should be less than 1 V/m.

Parts and Accessories



Battery and charger



Sling
Contact your local representative.

AUSTRALIA

Arjo Australia Pty Ltd
78, Forsyth Street
O'Connor
AU-6163 Western Australia
Tel: +61 89337 4111
Free: +1 800 072 040
Fax: + 61 89337 9077

BELGIQUE / BELGIË

Arjo NV/SA
Evenbroekveld 16
BE-9420 ERPE-MERE
Tél/Tel: +32 (0) 53 60 73 80
Fax: +32 (0) 53 60 73 81
E-mail: info.belgium@arjo.com

BRASIL

Arjo Brasil Equipamentos Médicos Ltda
Rua Marina Ciufuli Zanfelice, 329 PB02 Galpão
- Lapa
São Paulo – SP – Brasil
CEP: 05040-000
Phone: 55-11-3588-5088
E-mail: vendas.latam@arjo.com
E-mail: servicios.latam@arjo.com

CANADA

Arjo Canada Inc.
90 Matheson Boulevard West
Suite 300
CA-MISSISSAUGA, ON, L5R 3R3
Tel/Tél: +1 905 238 7880
Free: +1 800 665 4831 Institutional
Free: +1 800 868 0441 Home Care
Fax: +1 905 238 7881
E-mail: info.canada@arjo.com

ČESKÁ REPUBLIKA

Arjo Czech Republic s.r.o.
Na Strži 1702/65
140 00 Praha
Czech Republic
Phone No: +420225092307
e-mail: info.cz@arjo.com

DANMARK

Arjo A/S
Vassingerødvej 52
DK-3540 LYNGE
Tel: +45 49 13 84 86
Fax: +45 49 13 84 87
E-mail:
dk_kundeservice@arjo.com

DEUTSCHLAND

Arjo GmbH
Peter-Sander-Strasse 10
DE-55252 MAINZ-KASTEL
Tel: +49 (0) 6134 186 0
Fax: +49 (0) 6134 186 160
E-mail: info-de@arjo.com

ESPAÑA

Arjo Ibérica S.L.
Parque Empresarial Rivas Futura, C/Marie
Curie 5
Edificio Alfa Planta 6 oficina 6.1-.62
ES-28521 Rivas Vacia, MADRID
Tel: +34 93 583 11 20
Fax: +34 93 583 11 22
E-mail: info.es@arjo.com

FRANCE

Arjo SAS
2 Avenue Alcide de Gasperi
CS 70133
FR-59436 RONCQ CEDEX
Tél: +33 (0) 3 20 28 13 13
Fax: +33 (0) 3 20 28 13 14
E-mail: info.france@arjo.com

HONG KONG

Arjo Hong Kong Limited
Room 411-414, 4/F, Manhattan Centre,
8 Kwai Cheong Road, Kwai Chung, N.T.,
HONG KONG
Tel: +852 2960 7600
Fax: +852 2960 1711

ITALIA

Arjo Italia S.p.A.
Via Giacomo Peroni 400-402
IT-00131 ROMA
Tel: +39 (0) 6 87426211
Fax: +39 (0) 6 87426222
E-mail: Italy.promo@arjo.com

MIDDLE EAST

Arjo Middle East FZ-LLC
Office 908, 9th Floor,
HQ Building, North Tower,
Dubai Science Park,
Al Barsha South
P.O Box 11488, Dubai,
United Arab Emirates
Direct +971 487 48053
Fax +971 487 48072
Email: Info.ME@arjo.com

NEDERLAND

Arjo BV
Biezenwei 21
4004 MB TIEL
Postbus 6116
4000 HC TIEL
Tel: +31 (0) 344 64 08 00
Fax: +31 (0) 344 64 08 85
E-mail: info.nl@arjo.com

NEW ZEALAND

Arjo Ltd
34 Vestey Drive
Mount Wellington
NZ-AUCKLAND 1060
Tel: +64 (0) 9 573 5344
Free Call: 0800 000 151
Fax: +64 (0) 9 573 5384
E-mail: nz.info@Arjo.com

NORGE

Arjo Norway AS
Olaf Helset's vei 5
N-0694 OSLO
Tel: +47 22 08 00 50
Faks: +47 22 08 00 51
E-mail: no.kundeservice@arjo.com

ÖSTERREICH

Arjo GmbH
Lemböckgasse 49 / Stiege A / 4.OG
A-1230 Wien
Tel: +43 1 8 66 56
Fax: +43 1 866 56 7000

POLSKA

Arjo Polska Sp. z o.o.
ul. Ks Piotra Wawrzyniaka 2
PL-62-052 KOMORNIKI (Poznań)
Tel: +48 61 662 15 50
Fax: +48 61 662 15 90
E-mail: arjo@arjo.com

PORTUGAL

Arjo em Portugal
MAQUET Portugal, Lda.
(Distribuidor Exclusivo)
Rua Poeta Bocage n.º 2 - 2G
PT-1600-233 Lisboa
Tel: +351 214 189 815
Fax: +351 214 177 413
E-mail: Portugal@arjo.com

SUISSE / SCHWEIZ

Arjo AG
Fabrikstrasse 8
Postfach
CH-4614 HÄGENDORF
Tél/Tel: +41 (0) 61 337 97 77
Fax: +41 (0) 61 311 97 42

SUOMI

Arjo Scandinavia AB
Riihitontuntie 7 C
02200 Espoo
Finland
Puh: +358 9 6824 1260
E-mail: Asiakaspalvelu.finland@arjo.com

SVERIGE

Arjo International HQ
Hans Michelsensgatan 10
SE-211 20 MALMÖ
Tel: +46 (0) 10 494 7760
Fax: +46 (0) 10 494 7761
E-mail: kundservice@arjo.com

UNITED KINGDOM

Arjo UK and Ireland
Houghton Hall Park
Houghton Regis
UK-DUNSTABLE LU5 5XF
Tel: +44 (0) 1582 745 700
Fax: +44 (0) 1582 745 745
E-mail: sales.admin@arjo.com

USA

Arjo Inc.
2349 W Lake Street Suite 250
US-Addison, IL 60101
Tel: +1 630 307 2756
Free: +1 800 323 1245 Institutional
Free: +1 800 868 0441 Home Care
Fax: +1 630 307 6195
E-mail: us.info@arjo.com

JAPAN

Arjo Japan K.K.
東京都港区虎ノ門三丁目7番8号 ランディッ
ク第2虎ノ門ビル9階
電話 : +81 (0)3-6435-6401

Address page - REV 24: 04/2019

At Arjo, we are committed to improving the everyday lives of people affected by reduced mobility and age-related health challenges. With products and solutions that ensure ergonomic patient handling, personal hygiene, disinfection, diagnostics, and the effective prevention of pressure ulcers and venous thromboembolism, we help professionals across care environments to continually raise the standard of safe and dignified care. Everything we do, we do with people in mind.



ArjoHuntleigh AB
Hans Michelsensgatan 10
211 20 Malmö, Sweden
www.arjo.com

arjo

CE
2797